

Frameworks Manufacturing Barn Door Kit and Sizing Guide



Barn Door Installation Kit

Sliding Door Track
1x per opening
4100SDT12-6xx

Angle Mounting Channel
1x per openingz
1100CA12-0MIzzz

Rollers
2x per leaf
#1125-r



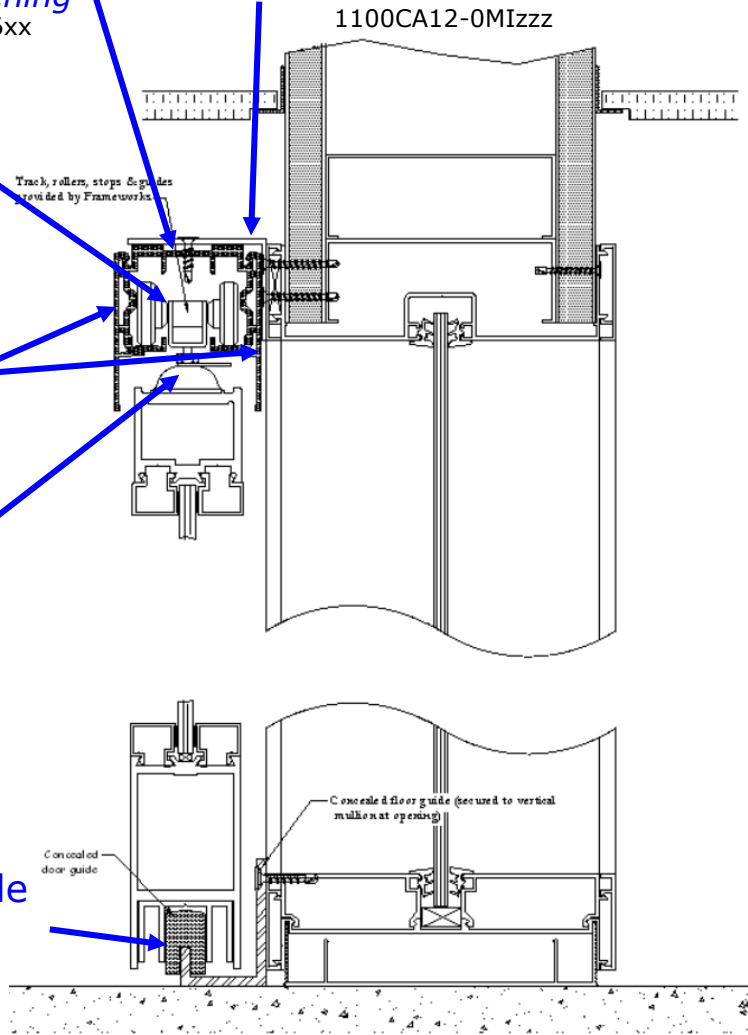
Track, rollers, stops & guides provided by Frameworks

Track Cover Trim
2x per opening
4100SDC12-6xx

Hangar Brackets
2 per leaf
#1125-h



Floor Guide
1x per leaf
BOACC-FLRGD



Components Not shown in drawing

Door Stops (x2 per leaf)



#1155

Friction Brakes (2x per leaf)



BOACC-FRCBRK

Track end covers (x2 per opening)



BOACC-TRKCVR

Mounting Screws (x20 per opening)



SDZ114

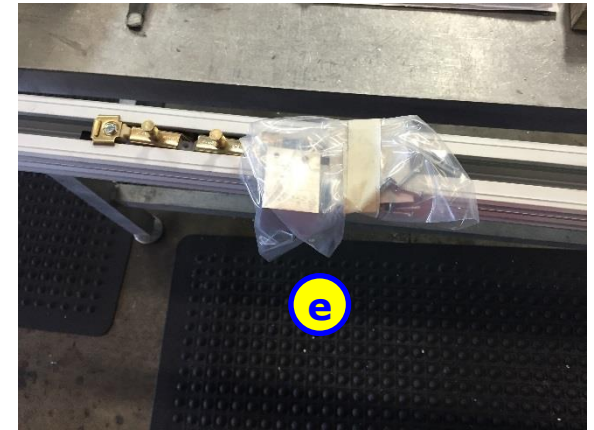
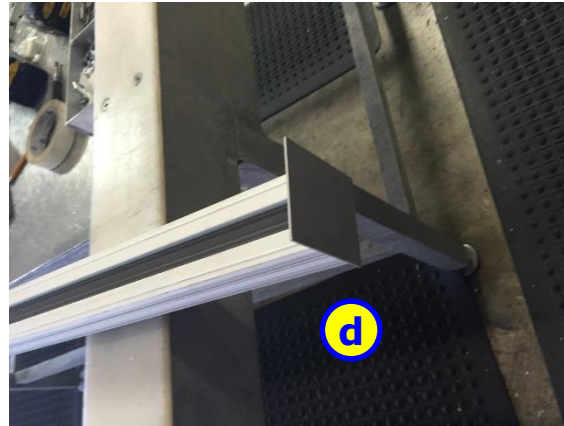
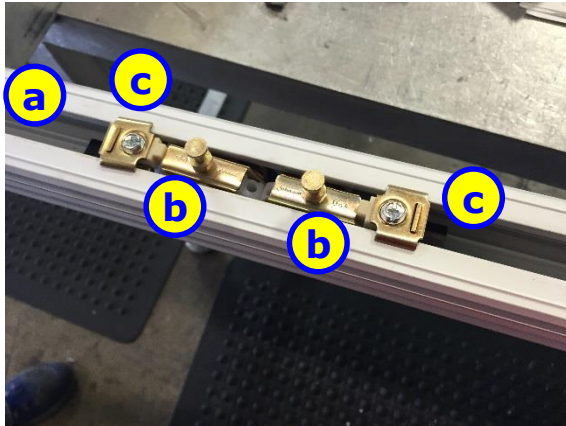


Type 1 frame shown. Kit is same for Type 2 or cased opening barn door applications

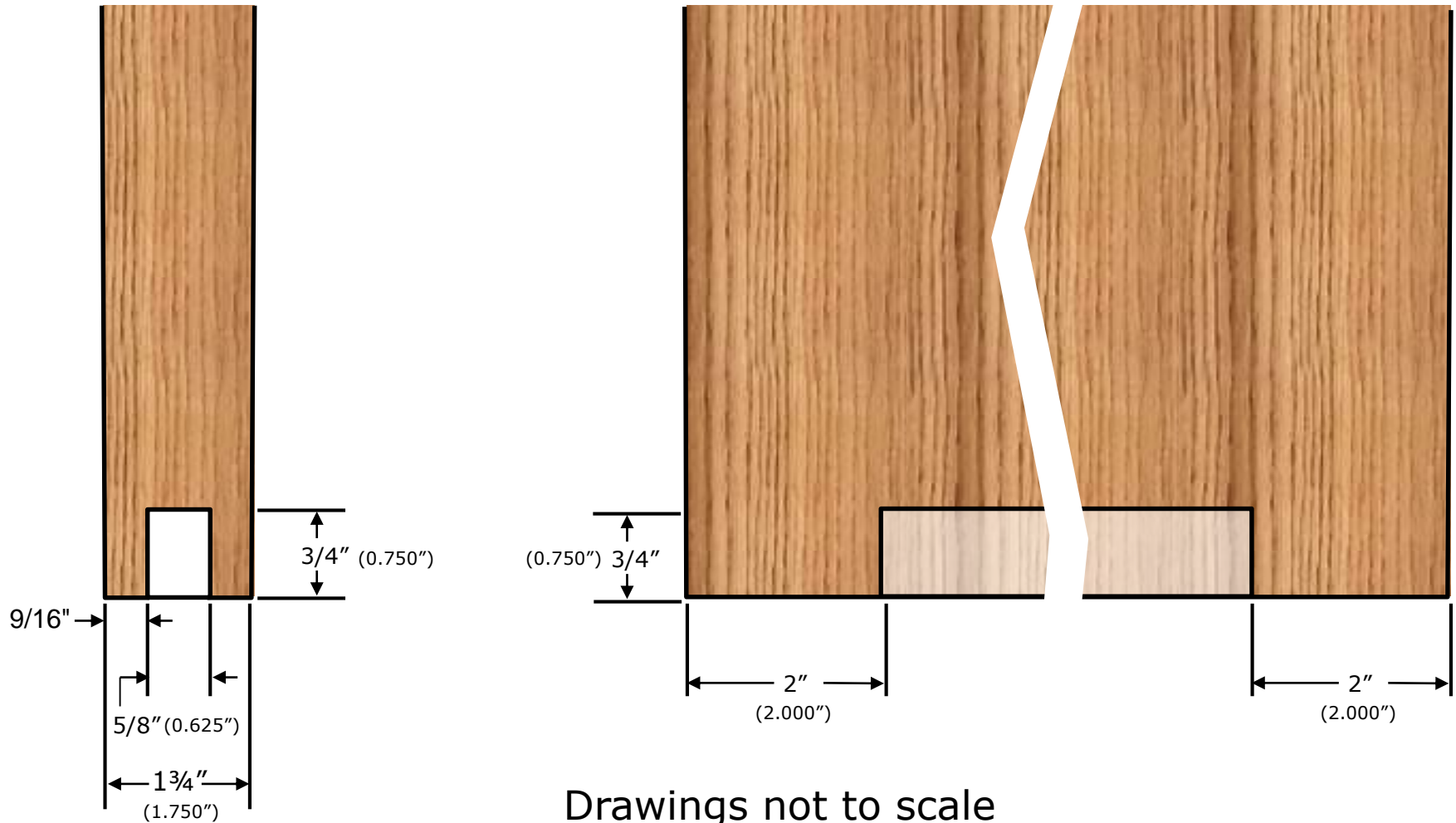
Installation Video

Barn Door Kit - Contents

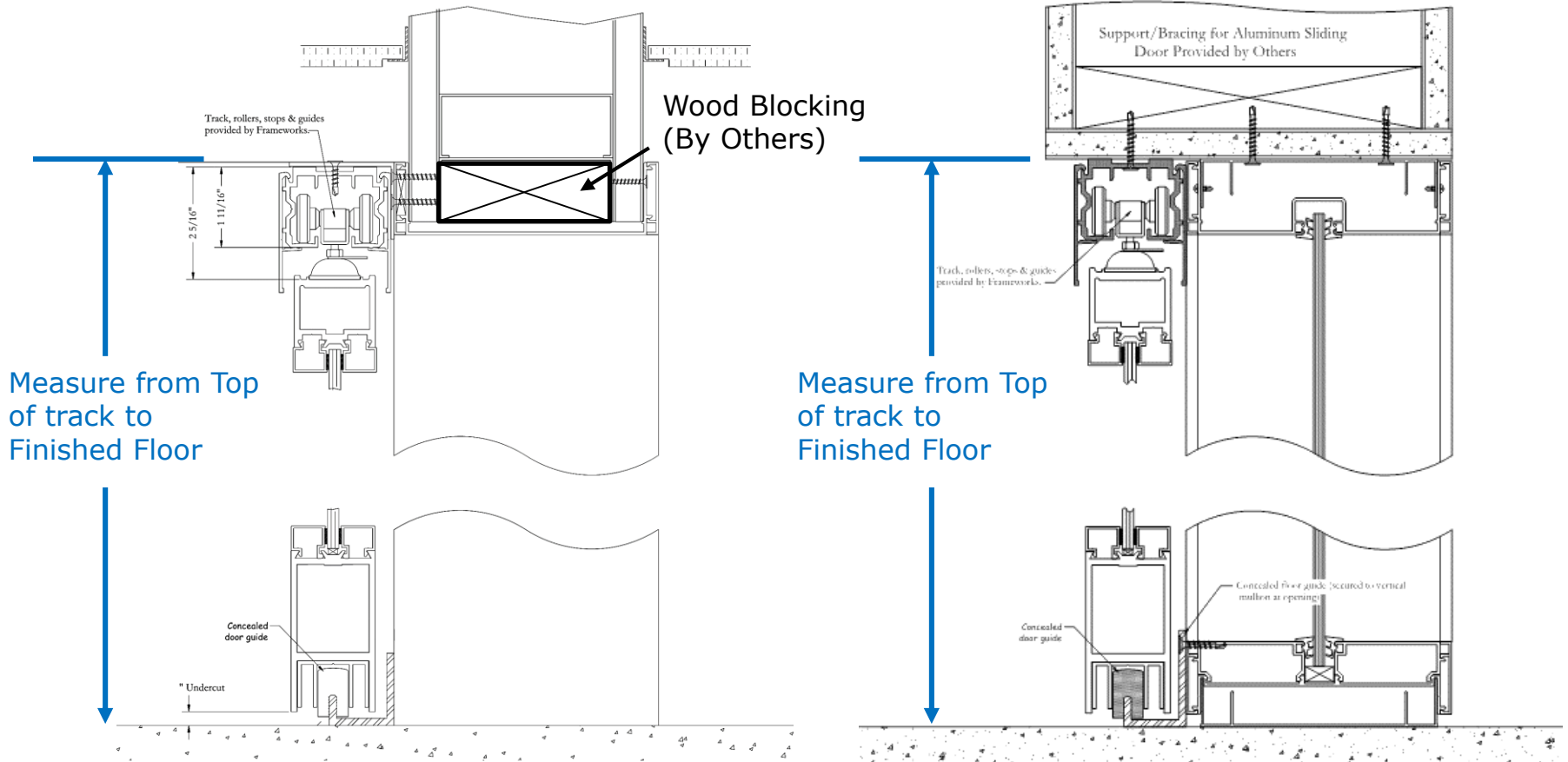
| <u>Part</u> | <u>Description</u> | <u>Qty</u> | <u>Packaged</u> |
|------------------------|------------------------|----------------|---|
| a 4100SDT12-6xx | Sliding Door Track | 1 per opening | Wrapped in paper |
| 4100SDC12-6xx | Track Cover | 2 per opening | Wrapped in paper |
| 1100CA12-0MI | Angle Mounting Channel | 1 per opening | Wrapped in paper |
| b #1125-r | Tricycle Rollers | 2 per leaf | Inside track |
| #1125-h | Hanger Brackets | 2 per leaf | *Installed on Door for AL Doors †Installed on Rollers for Wood Doors |
| c #1155 | Door Stops | 2 per leaf | Inside track |
| BOACCK-FRCBRK | Track Brakes | 2 per leaf | Inside track |
| d BOACCK-TRKCVR | Track End Caps | 2 per opening | 1 installed in track, 2 nd wrapped with hardware |
| e SDZ114 | Mounting Screws | 20 per opening | In plastic bag, taped to track |
| BOACCK-FLRGD | Concealed Door Guide | 1 per leaf | *Shipped with the door for AL Doors †In a bag with screws for Wood Doors |



Bottom Prep procedure for Wood Doors



Measuring Final Door Size for Sliding Doors

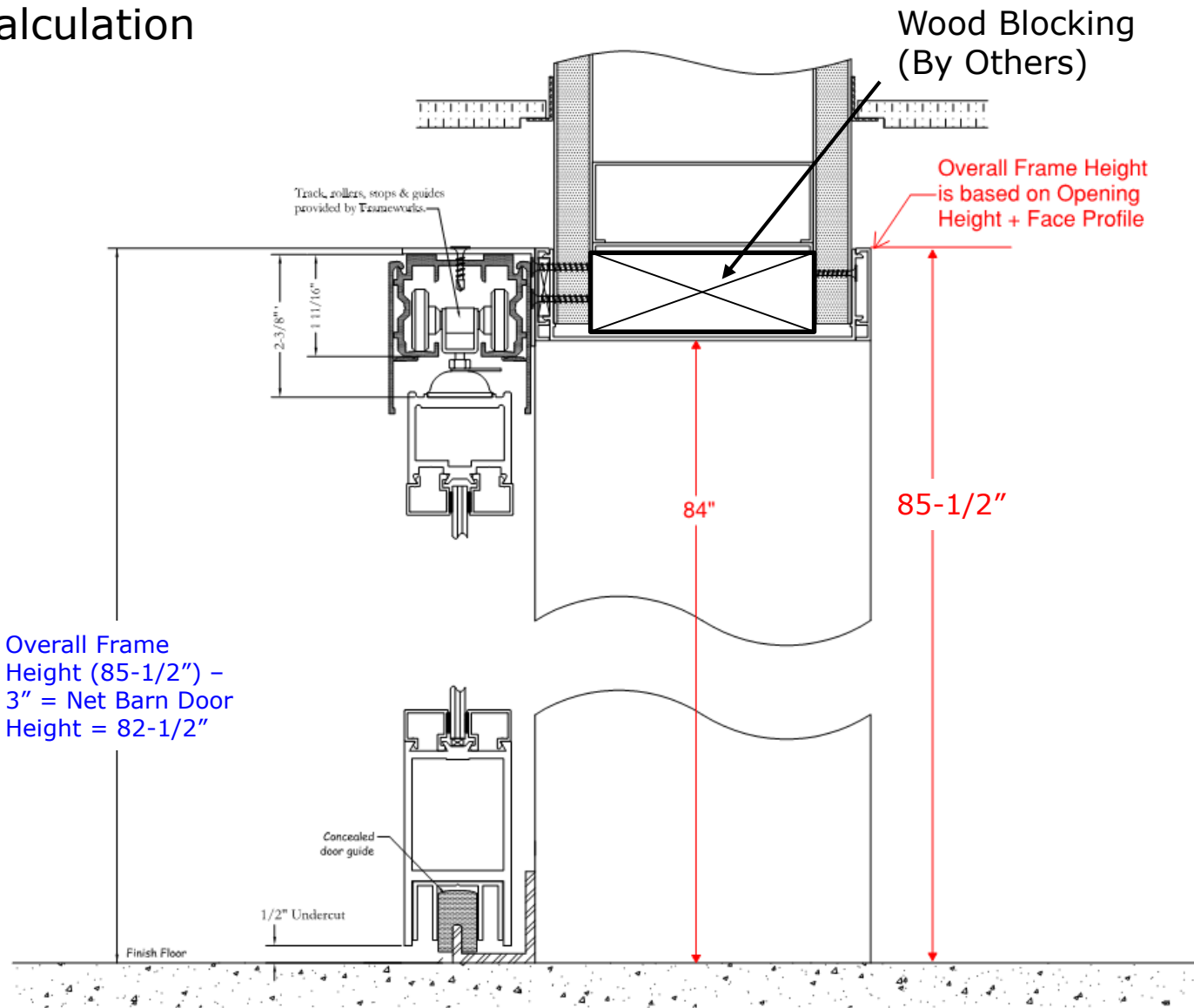


In order to ensure your barn-style or Slim Slider door fits the opening perfectly, you will need to measure the opening after frames are installed and provide those measurements to Frameworks.

Net Door Sizing – Barn Doors

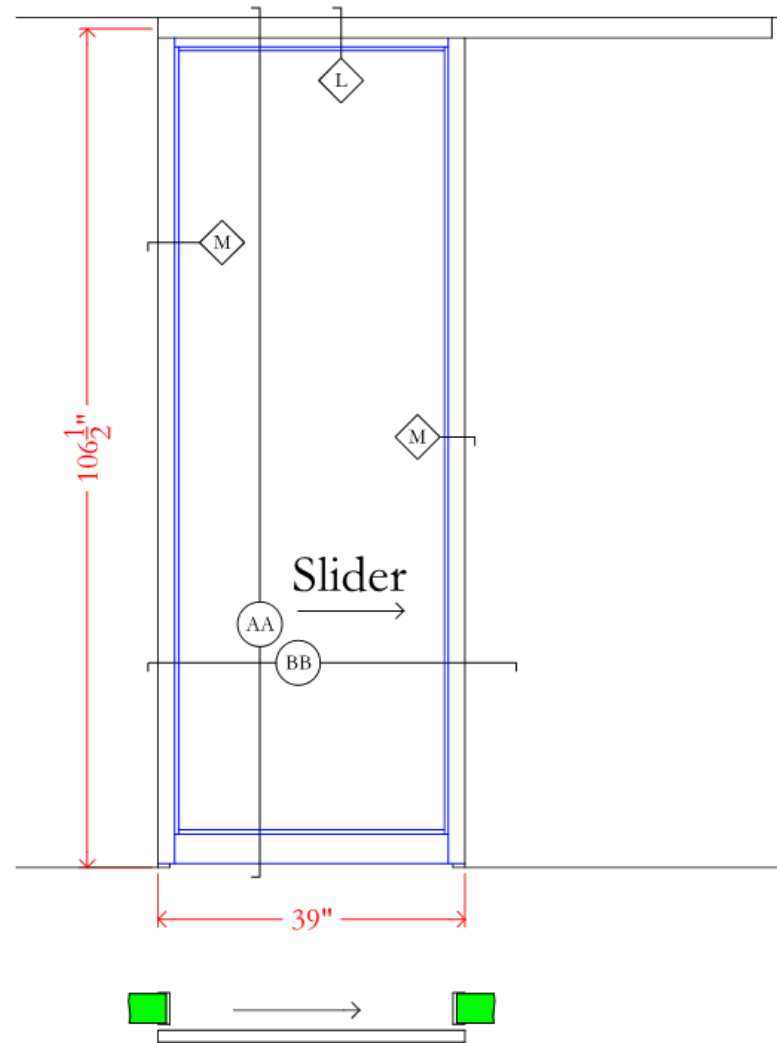
- Dimension from the top of the sliding door track to the top of the door is 2-1/4"
- Additional undercut is required at the bottom rail to clear the floor
 - Use 3/4" for the undercut on barn sliding doors
 - Formula for **net door height** is top of track to floor less 3"
- For net width, door opening + the vertical frame jambs
 - If using 1-1/2" face frames, net width is door opening + 3";
 - if 2" face, door opening width + 4"
- There is vertical adjustment in the rollers of 1/4" up or down

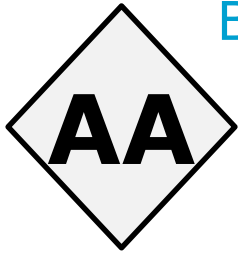
Example calculation



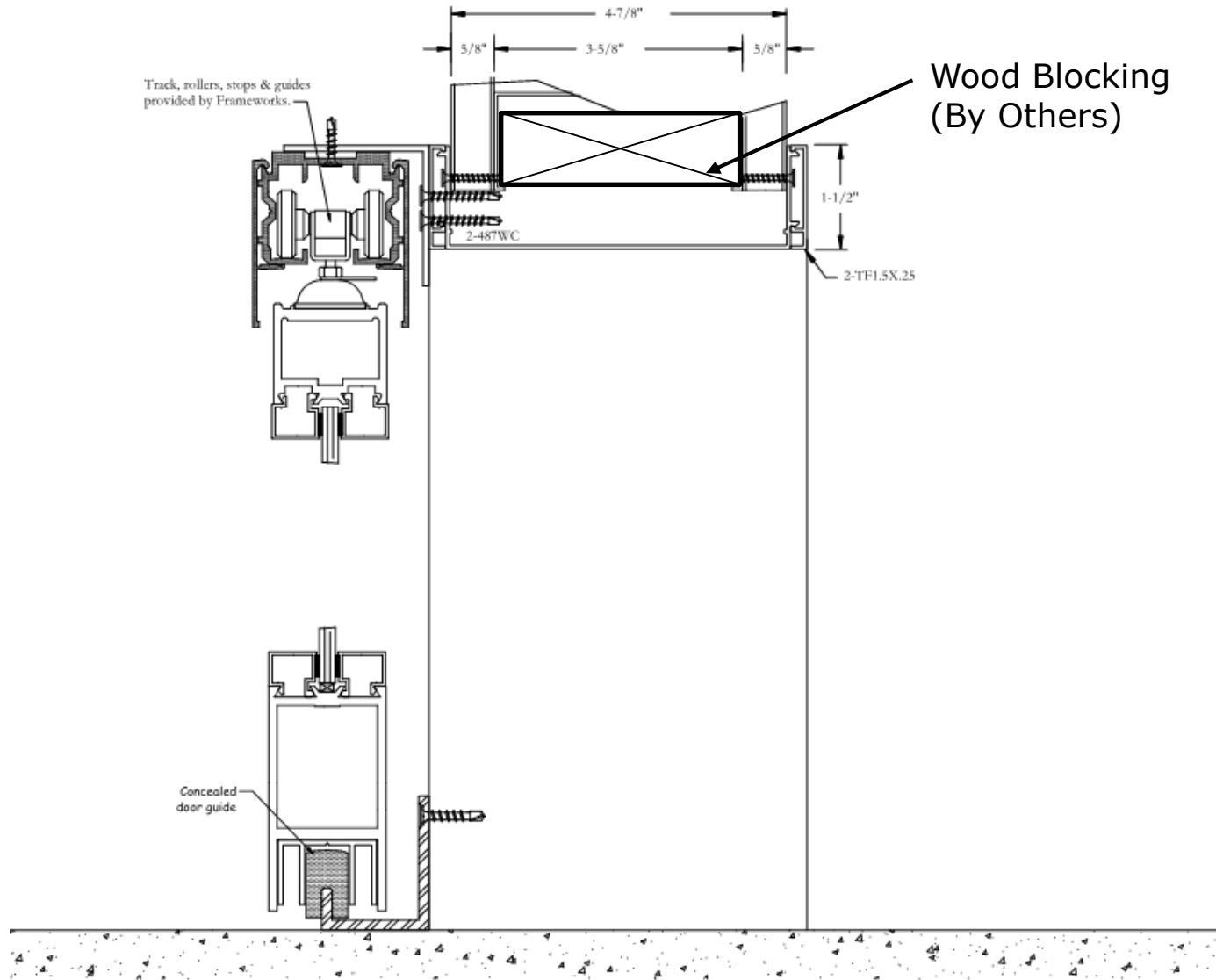
Overall Frame Height (85-1/2") - 3" = Net Barn Door Height = 82-1/2"

Barn Door – Sample Elevation – No Sidelite

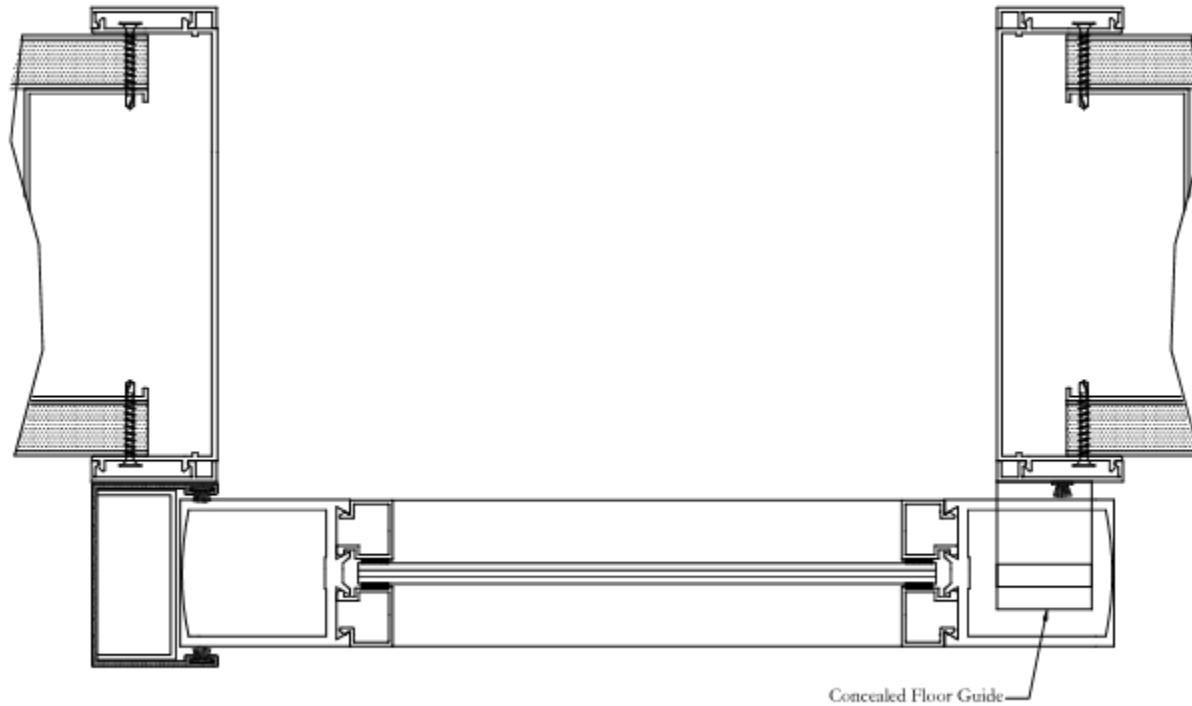
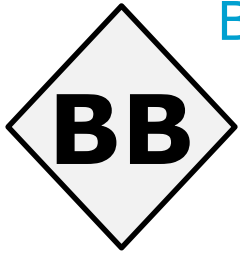




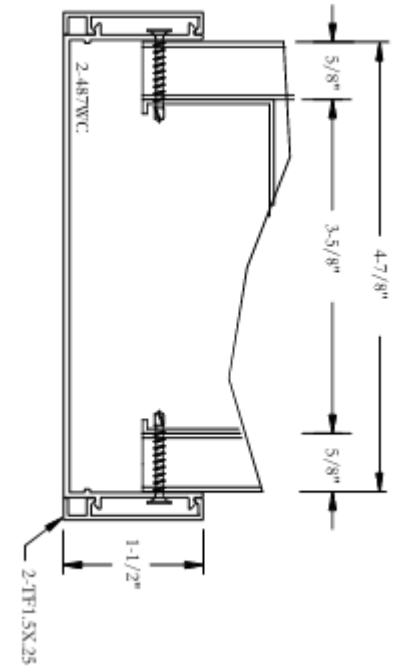
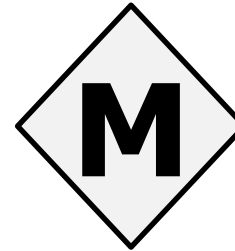
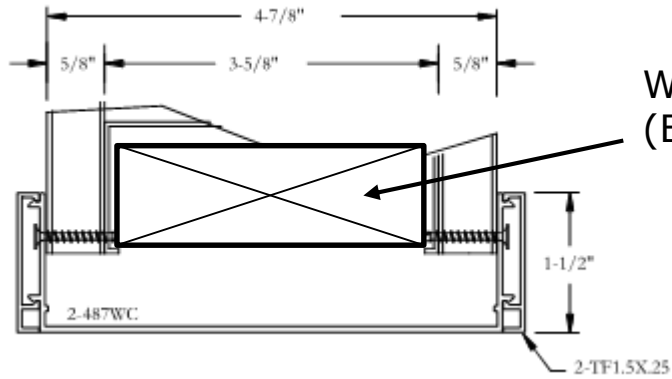
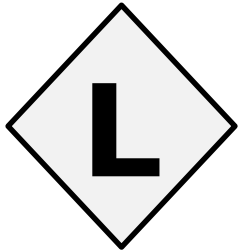
Barn Door – Sample Elevation – No Sidelite



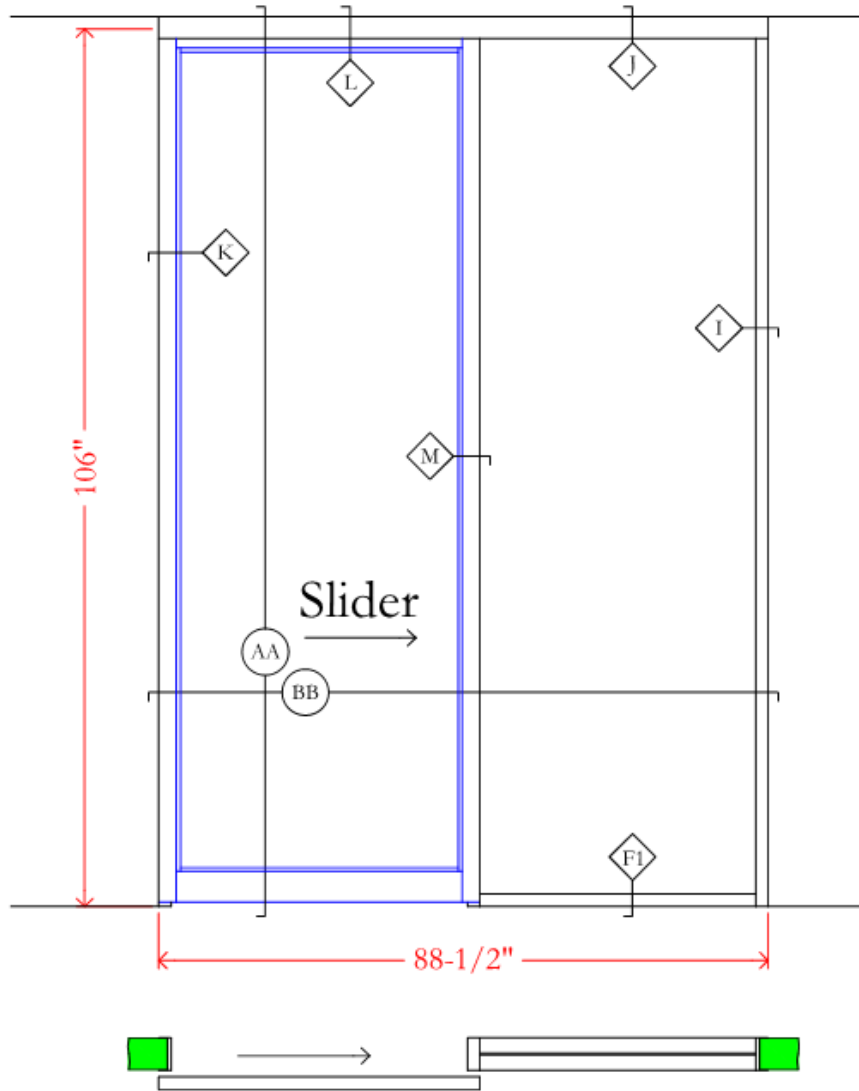
Barn Door – Sample Elevation – No Sidelite



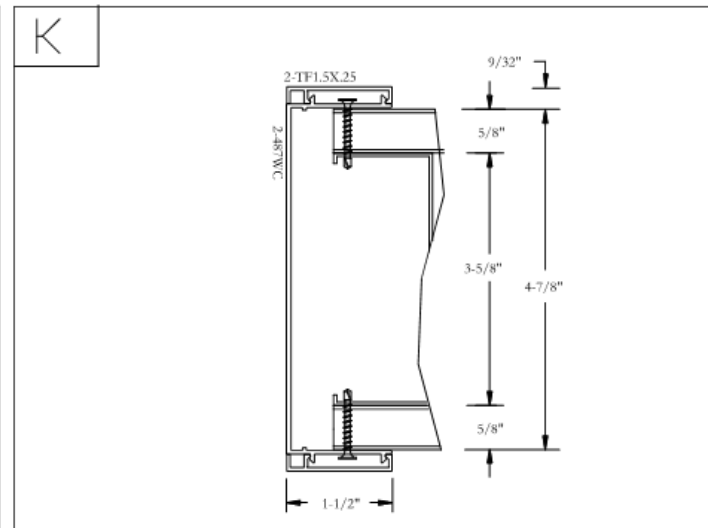
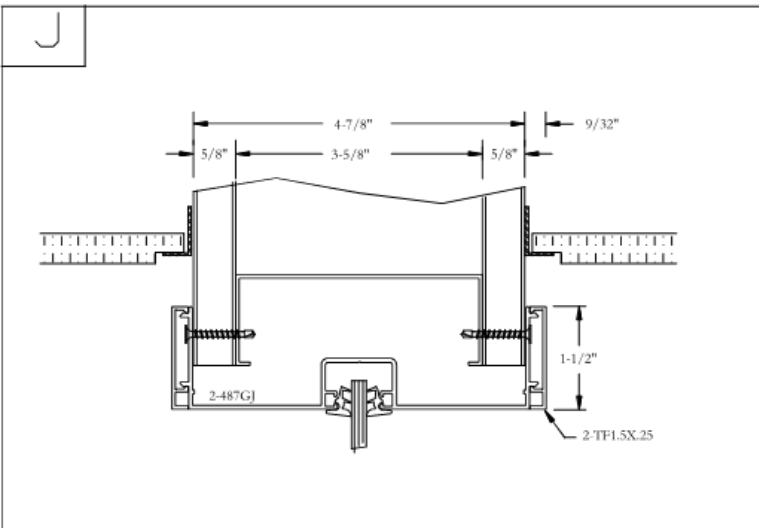
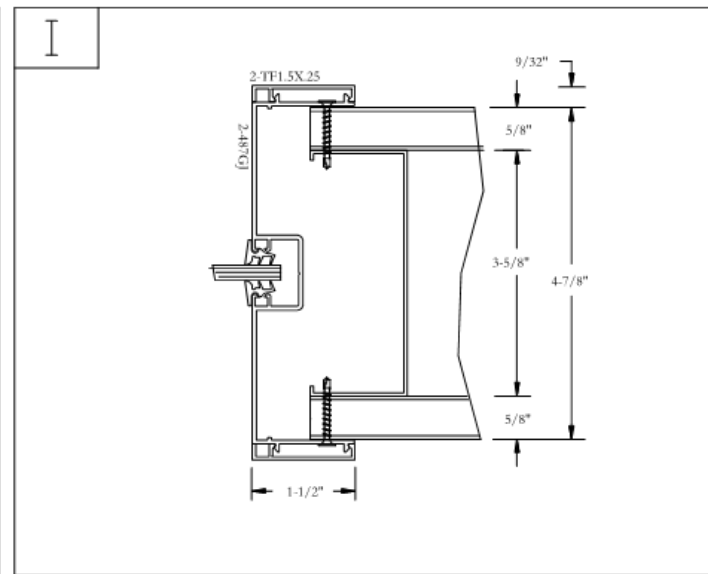
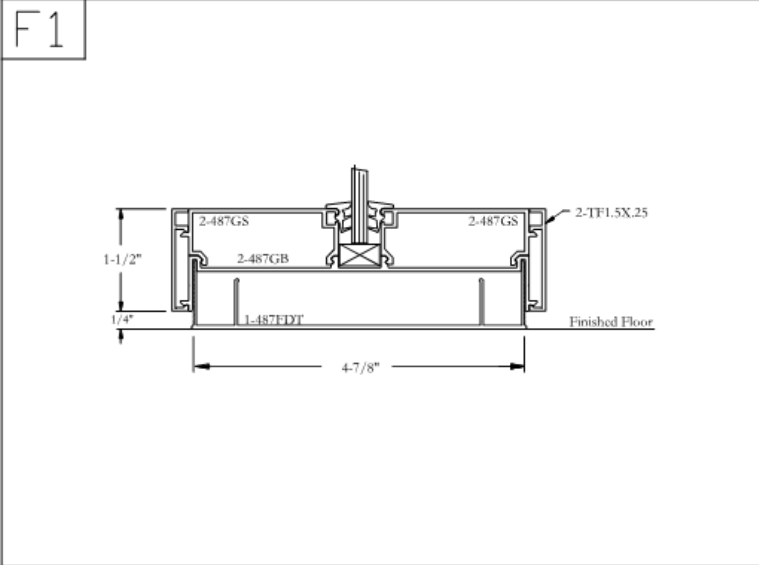
Barn Door – Sample Elevation – No Sidelite



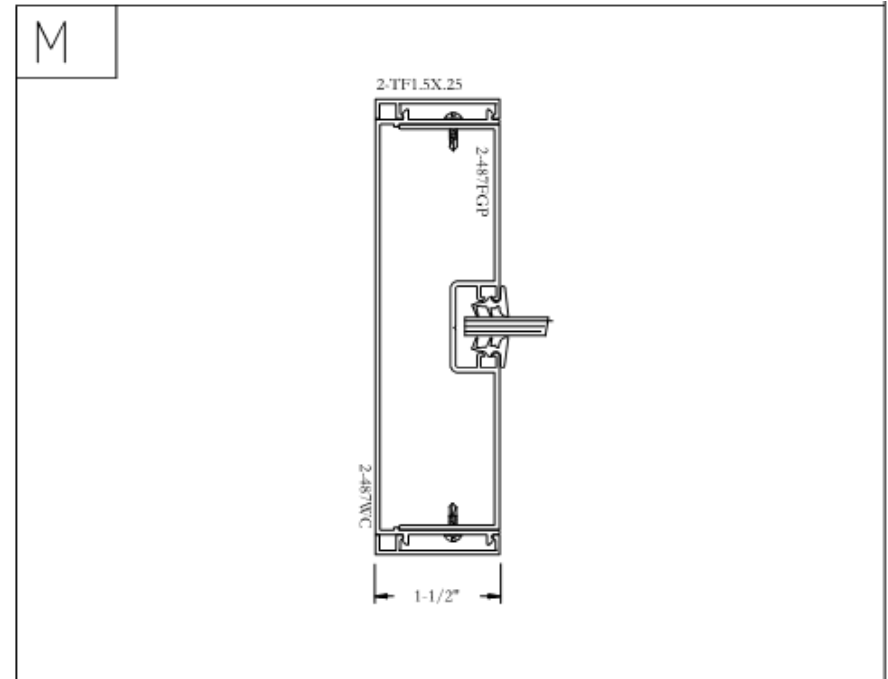
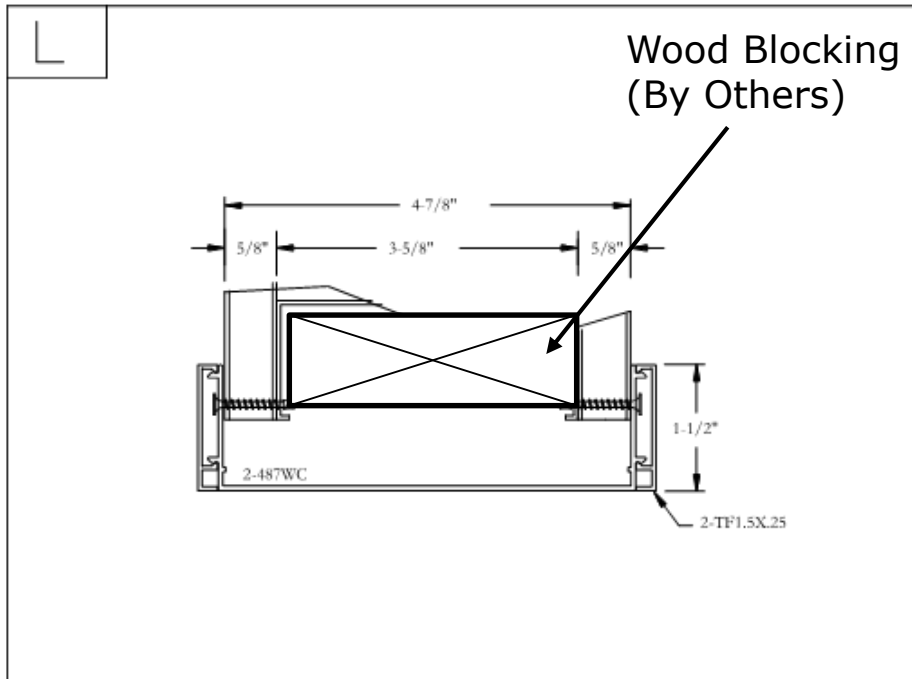
Barn Door – Sample Elevation - Sidelite



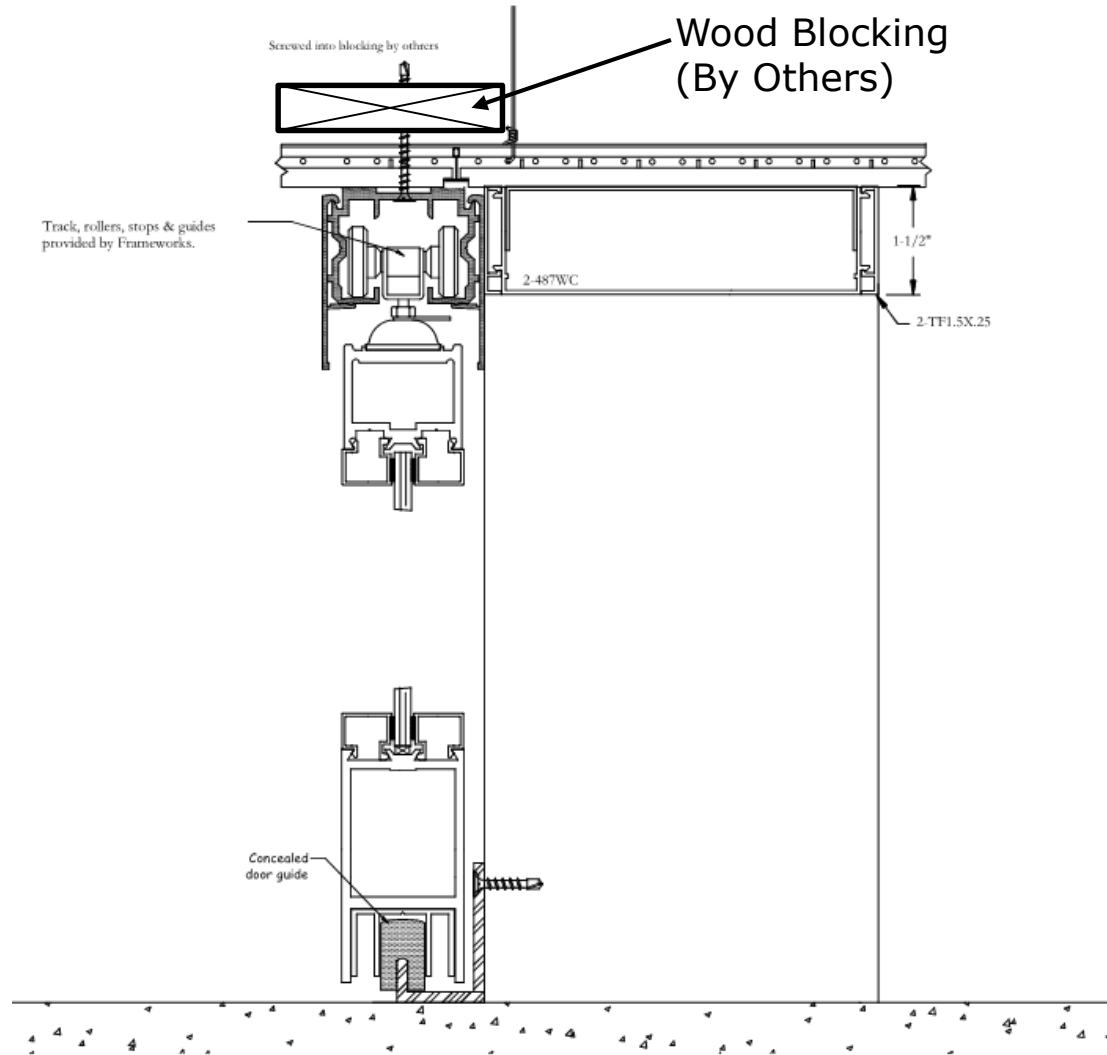
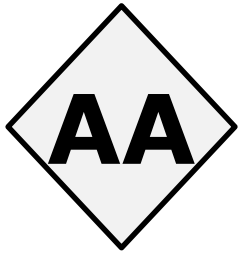
Barn Door – Sample Elevation - Sidelite



Barn Door – Sample Elevation - Sidelite



Barn Door – Sample Elevation - Sidelite



Barn Door – Sample Elevation - Sidelite

