

Type I Clipping Diagram

Single or Pair

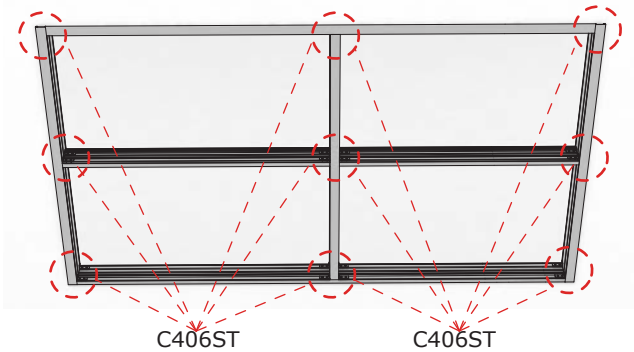
Freestanding Header Clip



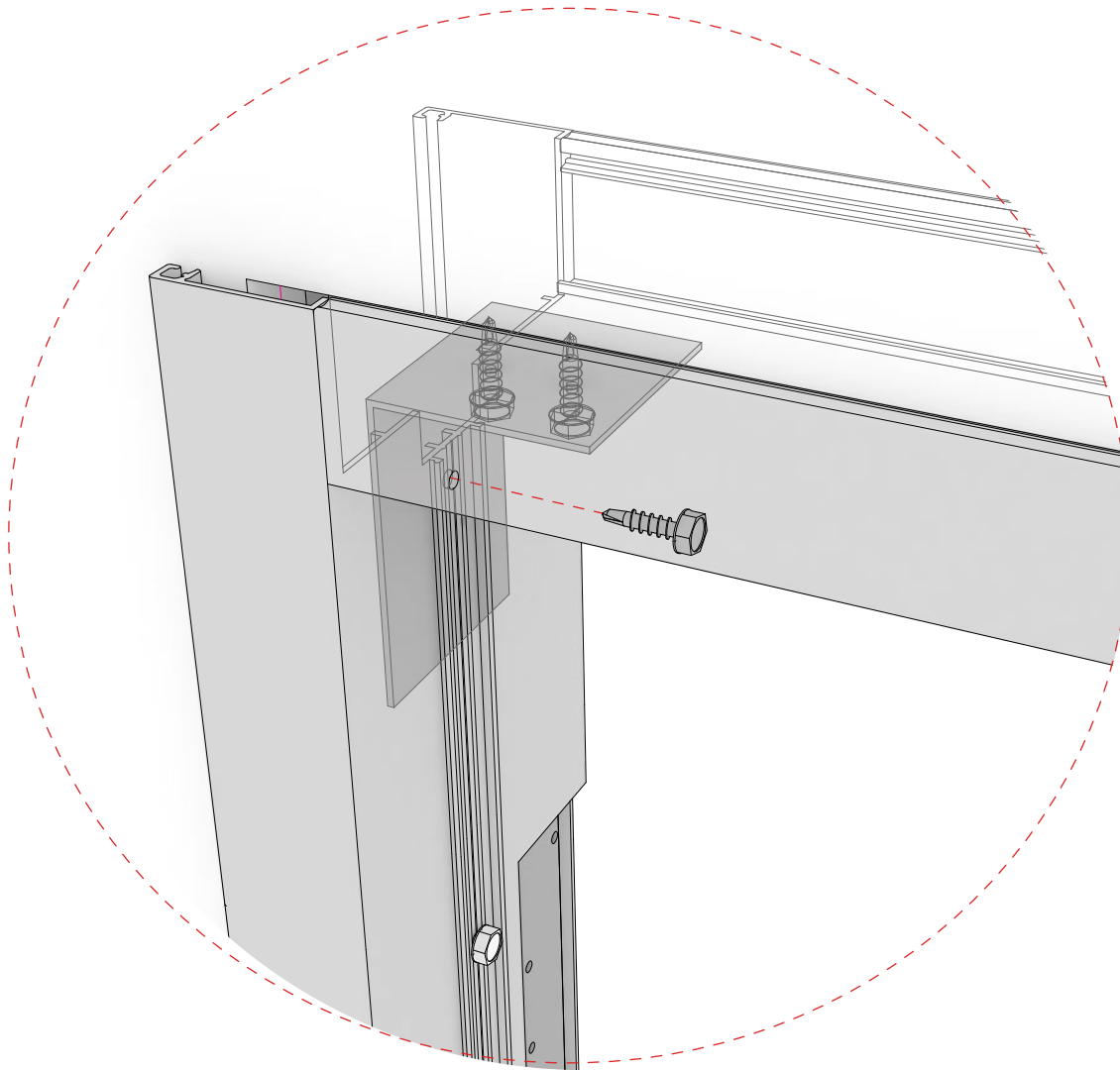
Sidelight Frame



Borrowed Light



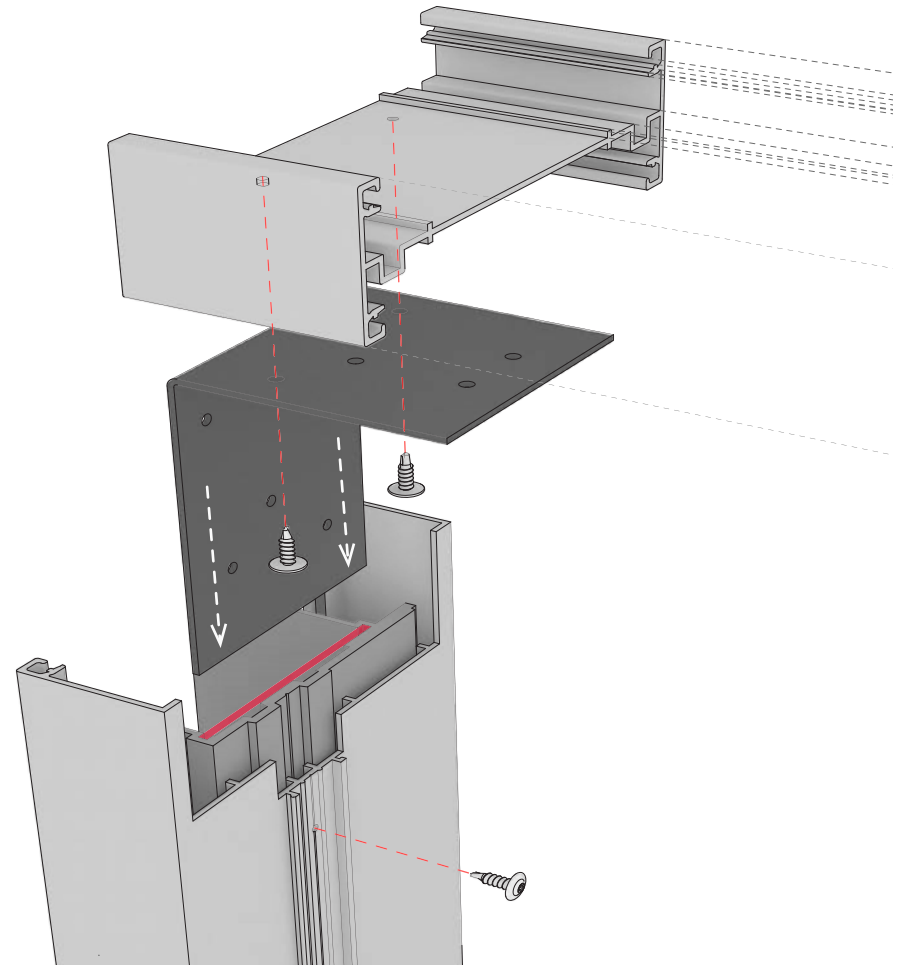
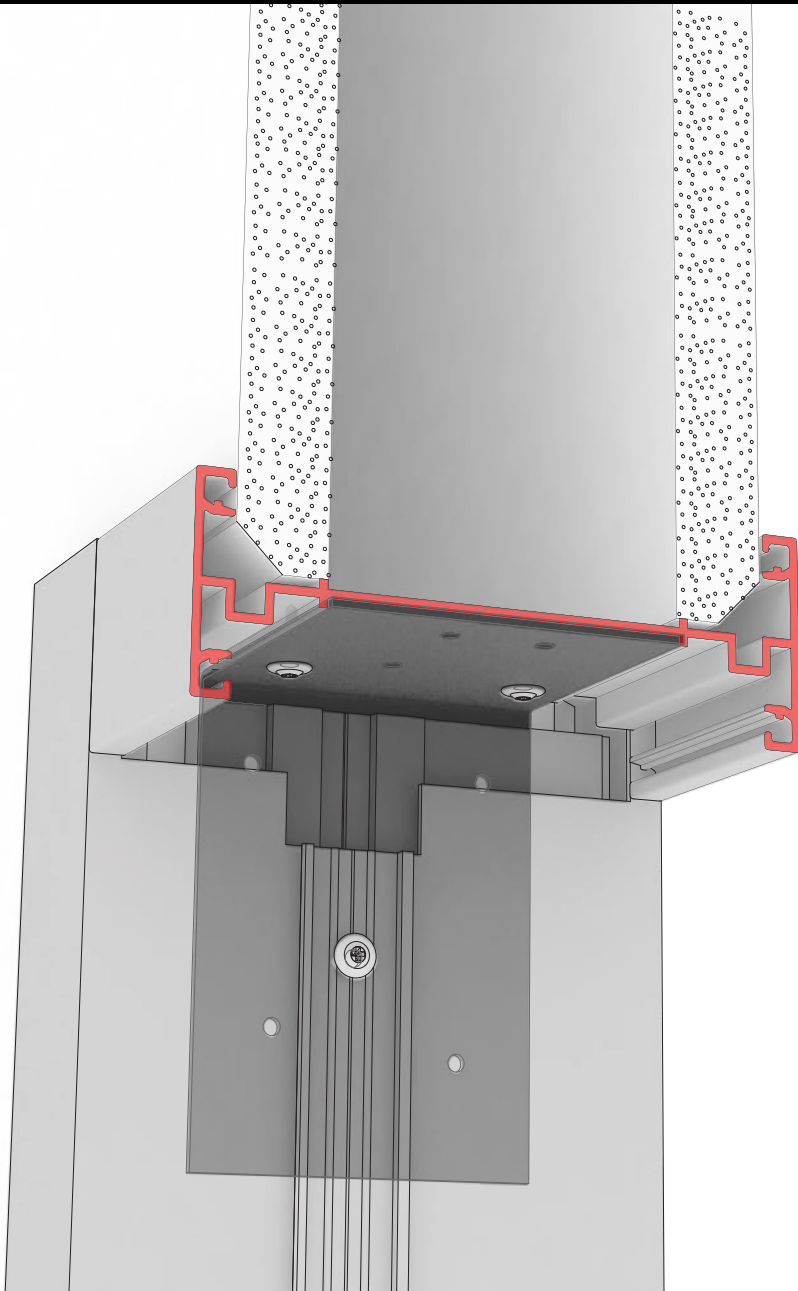
Freestanding Header Clip



For freestanding single or pair Type 1 frames, the header clips are pre-attached at the factory to the header. Attach header to jamb with #10 x 5/8" TEK screw in pre-drilled hole on jamb. Install screws at a slight upward angle to ensure a tight joint.

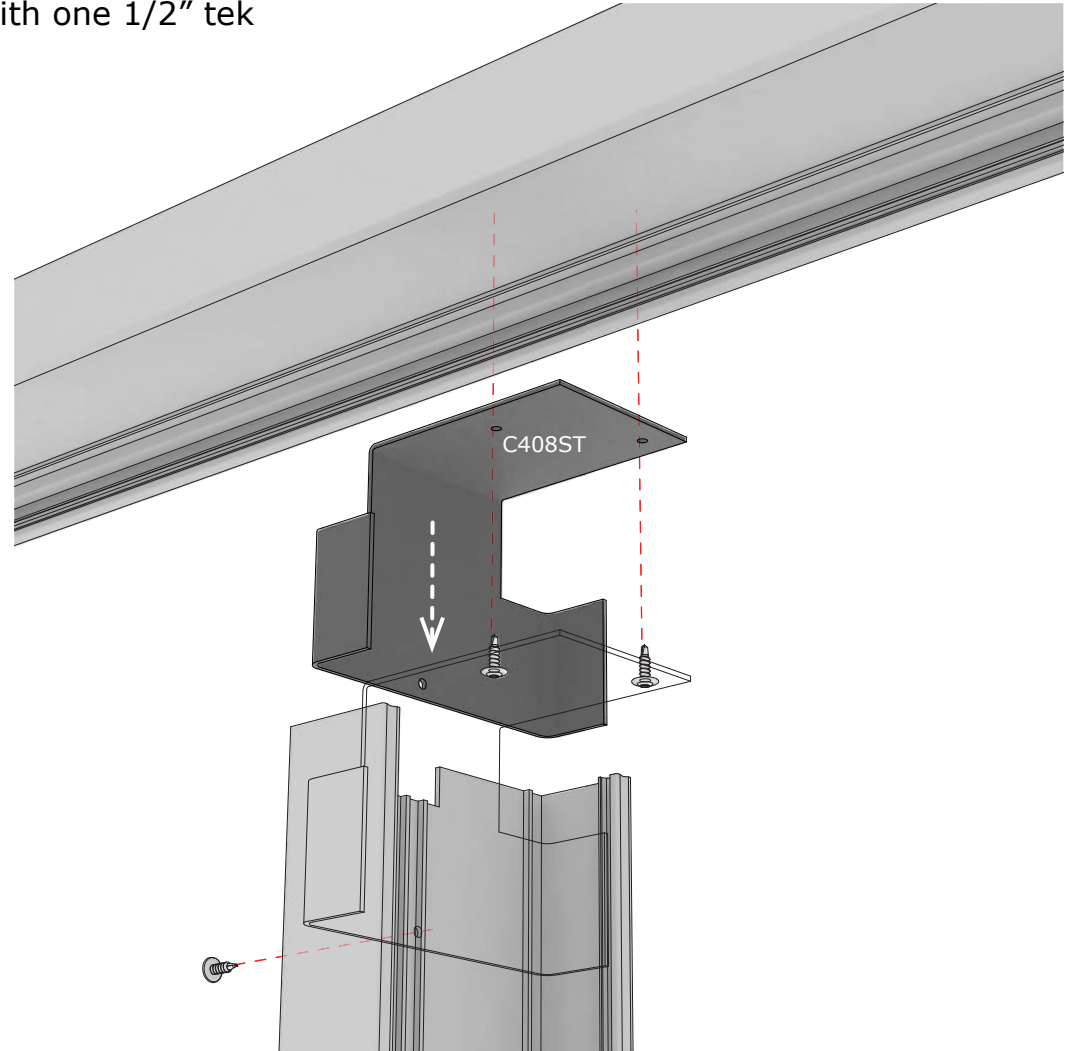
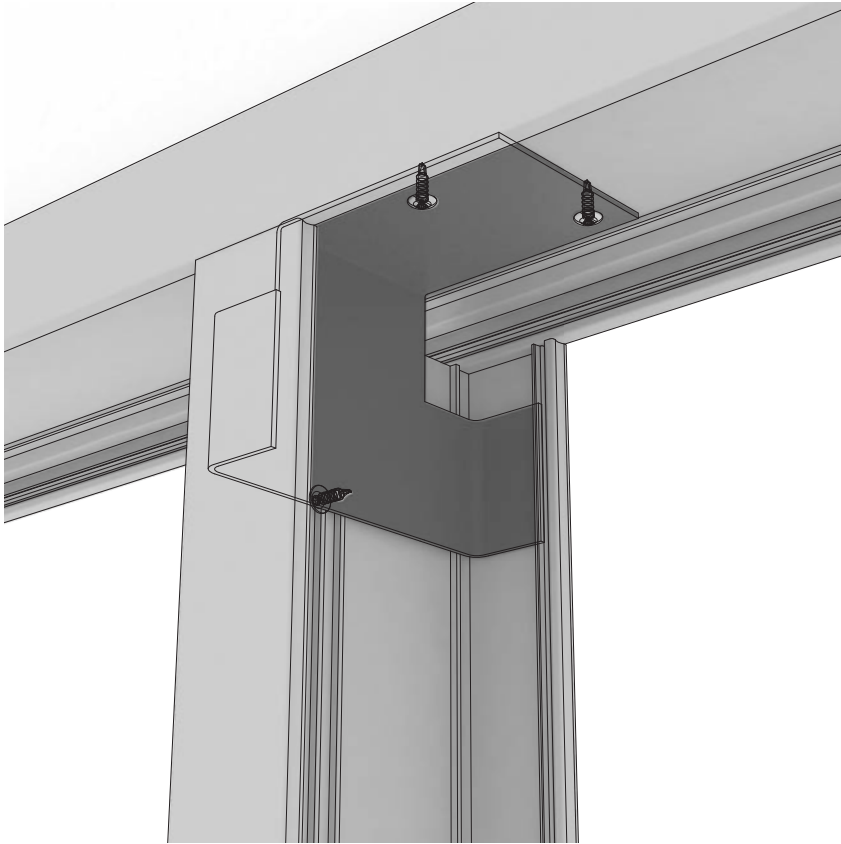
C400ST

Slide the C400ST clip between the hinge jamb and hinge stud before putting the hinge jamb into position. Once hinge jamb is lined up correctly with H-Mullion header, attach clip to H-Mullion using two 1/2" tek screws. Then secure the hinge jamb to the clip with one 1/2" tek screw through the door stop retainer area.

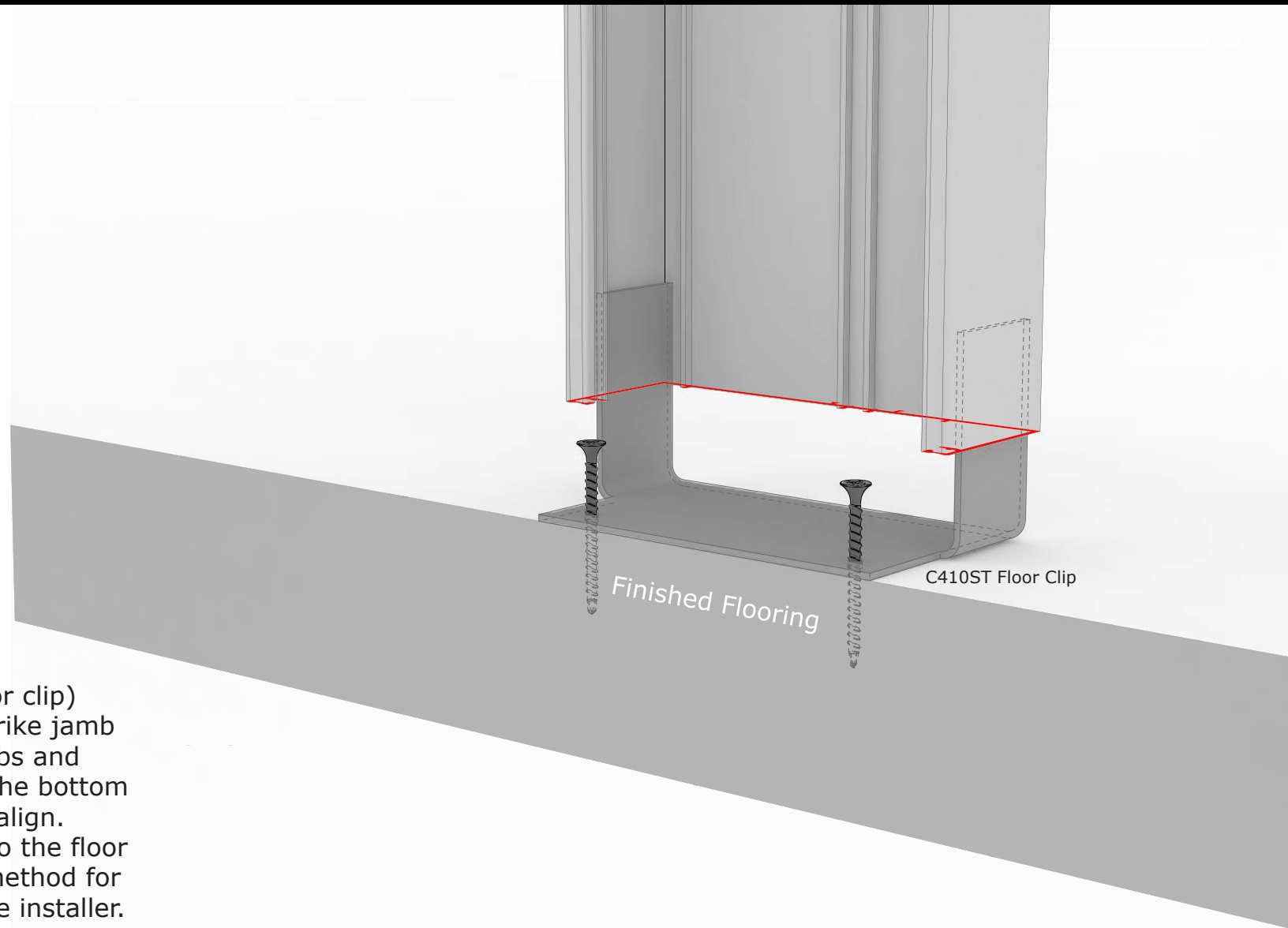


C408ST

Slide the C408ST clip into the open side of the strike jamb before putting the strike jamb into position. Once strike jamb is lined up correctly with H-Mullion header, attach clip to H-Mullion using two 1/2" tek screws. Then secure the strike jamb to the clip with one 1/2" tek screw through the door stop retainer area.

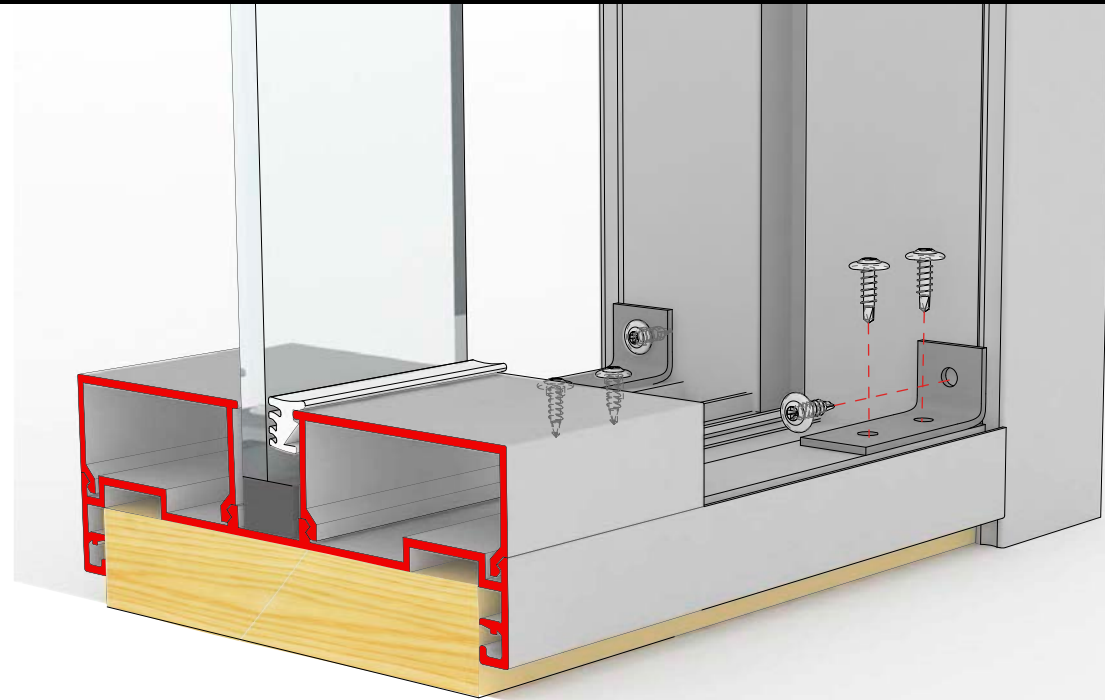
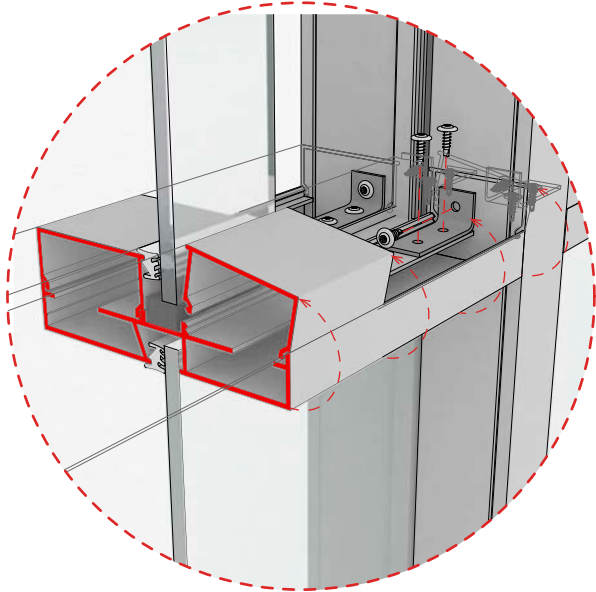
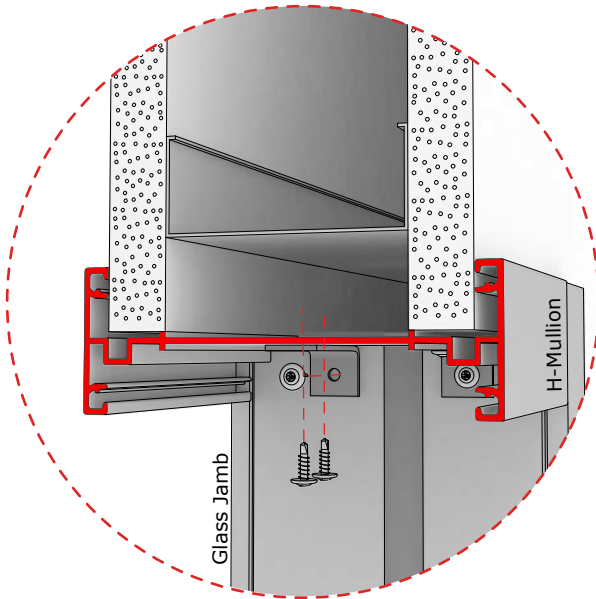


C410ST



Slip the C410ST (floor clip) into the bottom of strike jamb between extruded tabs and slide clip up so that the bottom of the clip and jamb align. Anchor the C410ST to the floor once in place. The method for anchoring is up to the installer.

C406ST



Attach the C406ST (mini clip) to both sides and each end of the horizontal glazing member using three 1/2" tek screws. The clips will mount on the bottom side of an H-Mullion, and the tops of glass base and mid-height base.

To ensure a tight joint, hold the clip 1/16" from the edge of jamb. When the third screw is secured to the vertical member, the material will be pulled together.