

Finish:

- Clear Anodized
- Black Paint
- Bronze Paint
- Grey Paint
- White Paint
- Other _____

Series:

- 375 (3-3/4" Wall)
- 487 (4-7/8" Wall)

Silencer:

- Grey
- Black
- White

Glass Thickness:

- 1/4"
- 3/8"

Fire Label:

- 20 Min. PP



Frameworks
 Manufacturing
 1910 Cypress Station Dr.
 Suite 100
 Houston, TX 77090

713-692-5222
 www.frameworks.com
 orders@frameworks.com

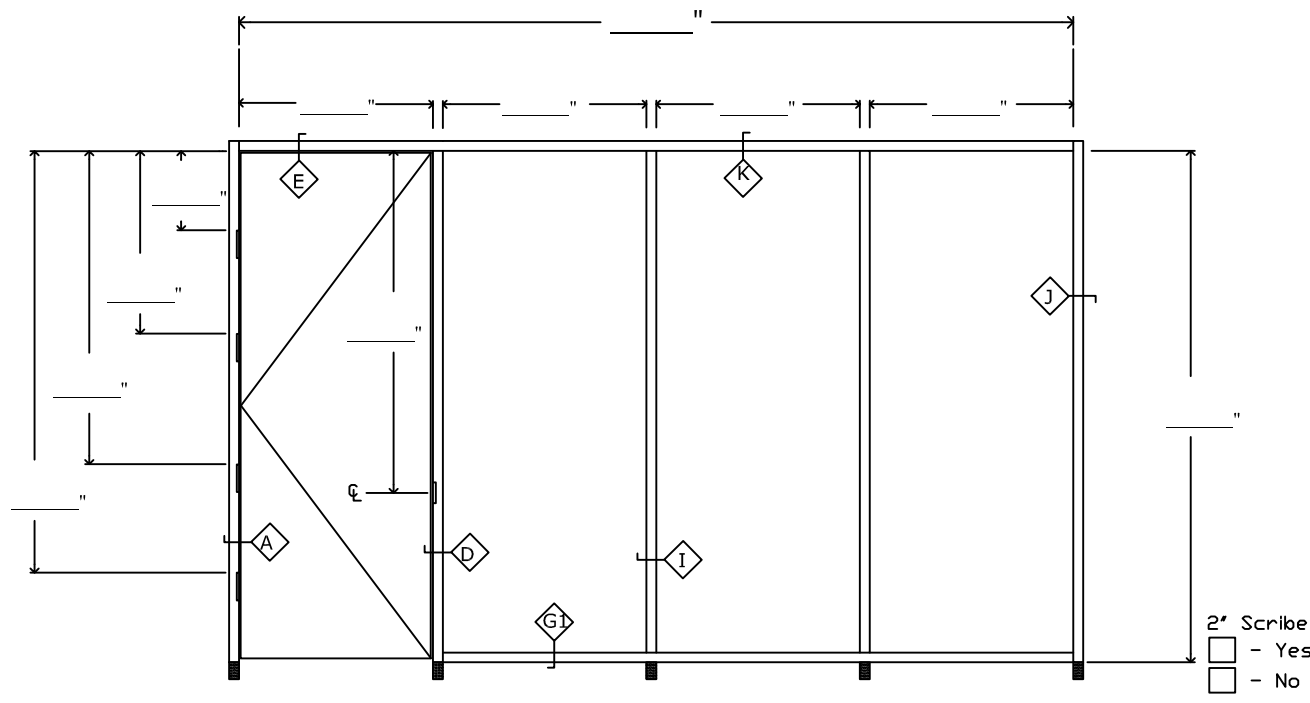
Left Hand:

Quantity: _____
 Tag #: _____

Right Hand:

Quantity: _____
 Tag #: _____

Special Instructions:



Project:

Customer:

Purchase Order #:

Date: _____

Revised: _____

Elevation Drawing #: _____

2" Scribe
 - Yes
 - No