

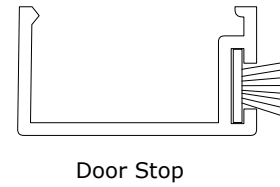
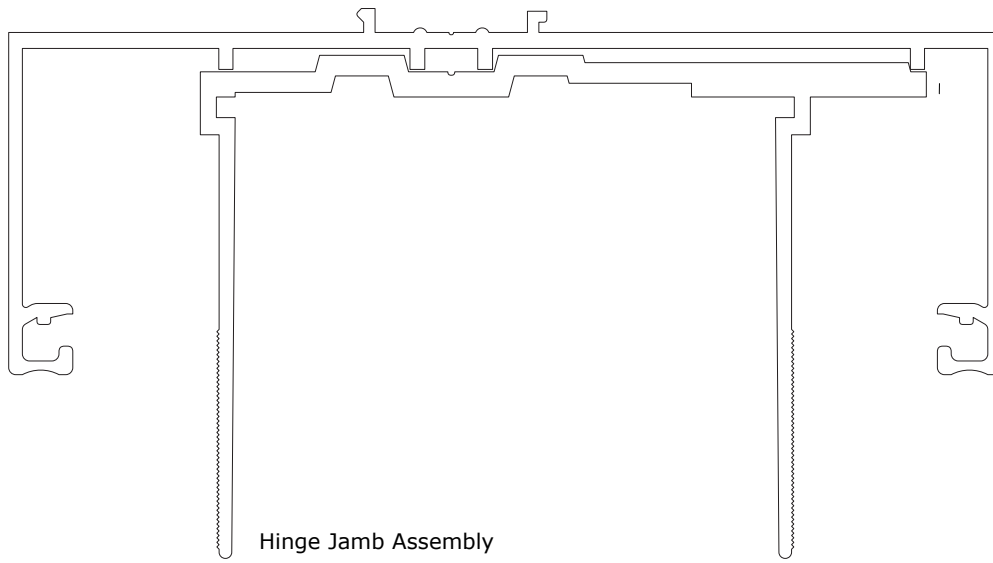
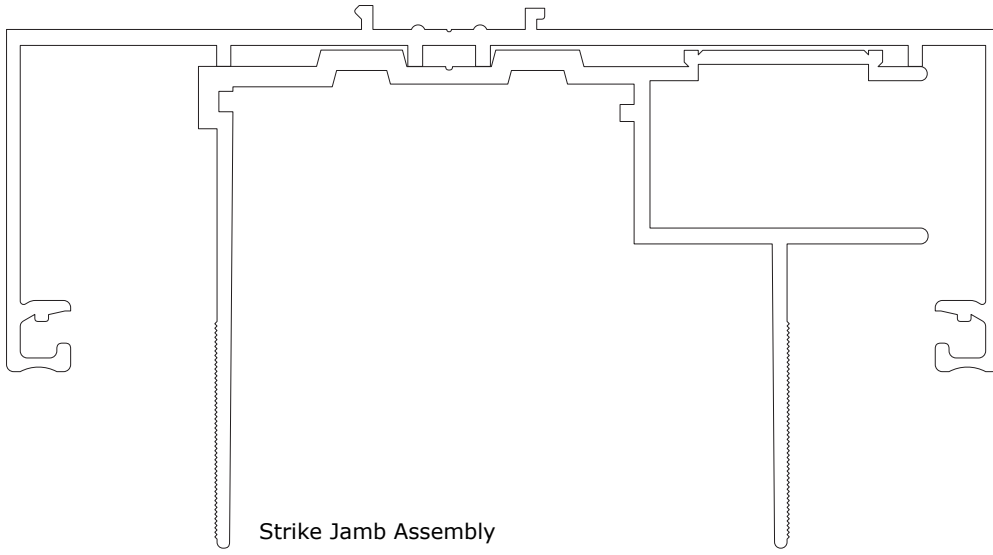
Installation Instructions: Type I Single Door Frame



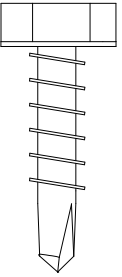
Tools Required: Tape Measure, Level, Plumb Bob, File, Rubber Mallet, Drill, Miter Saw with Carbide Tipped Blade

Field conditions may cause components to be modified to fit. Cutting and notching is to be expected with installation.

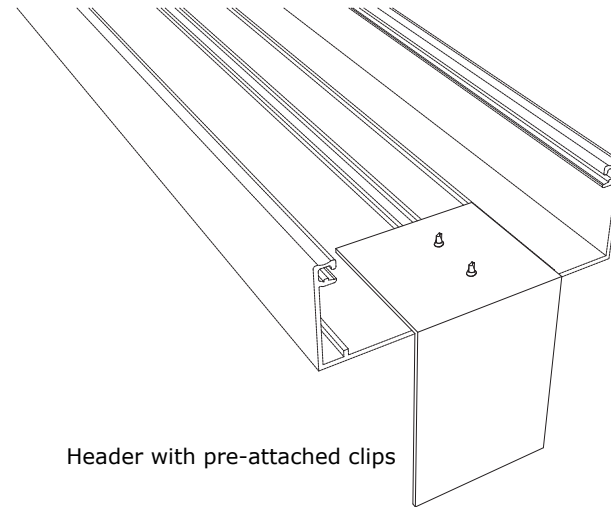
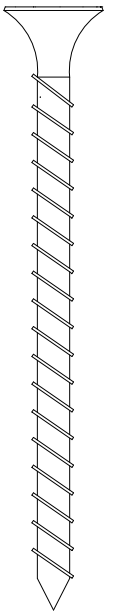
Parts List



2 ea. #10x5/8"
TEK Screws



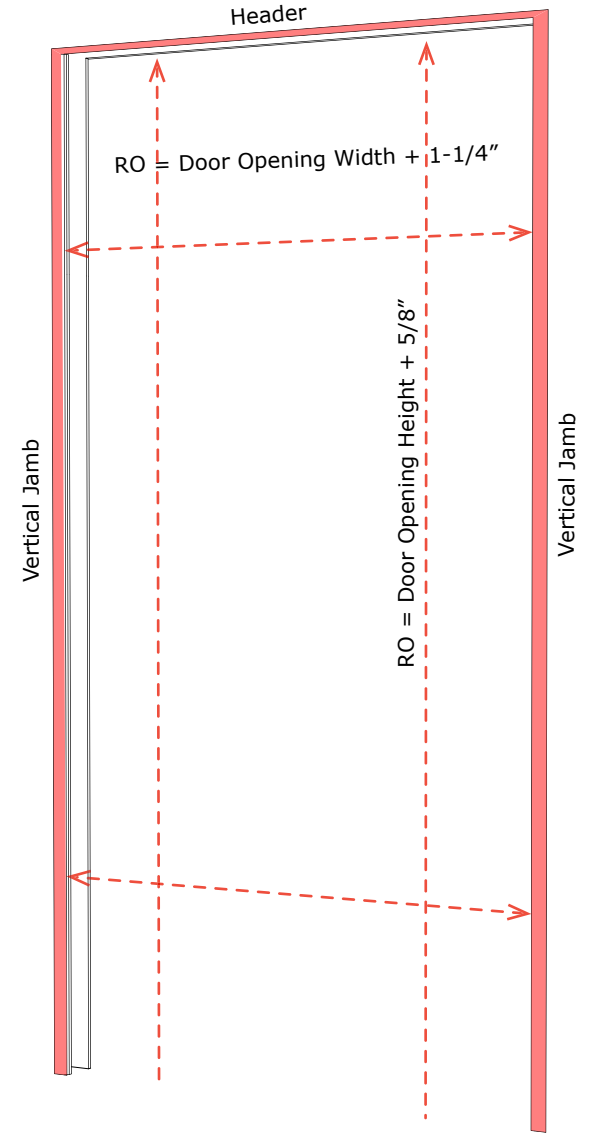
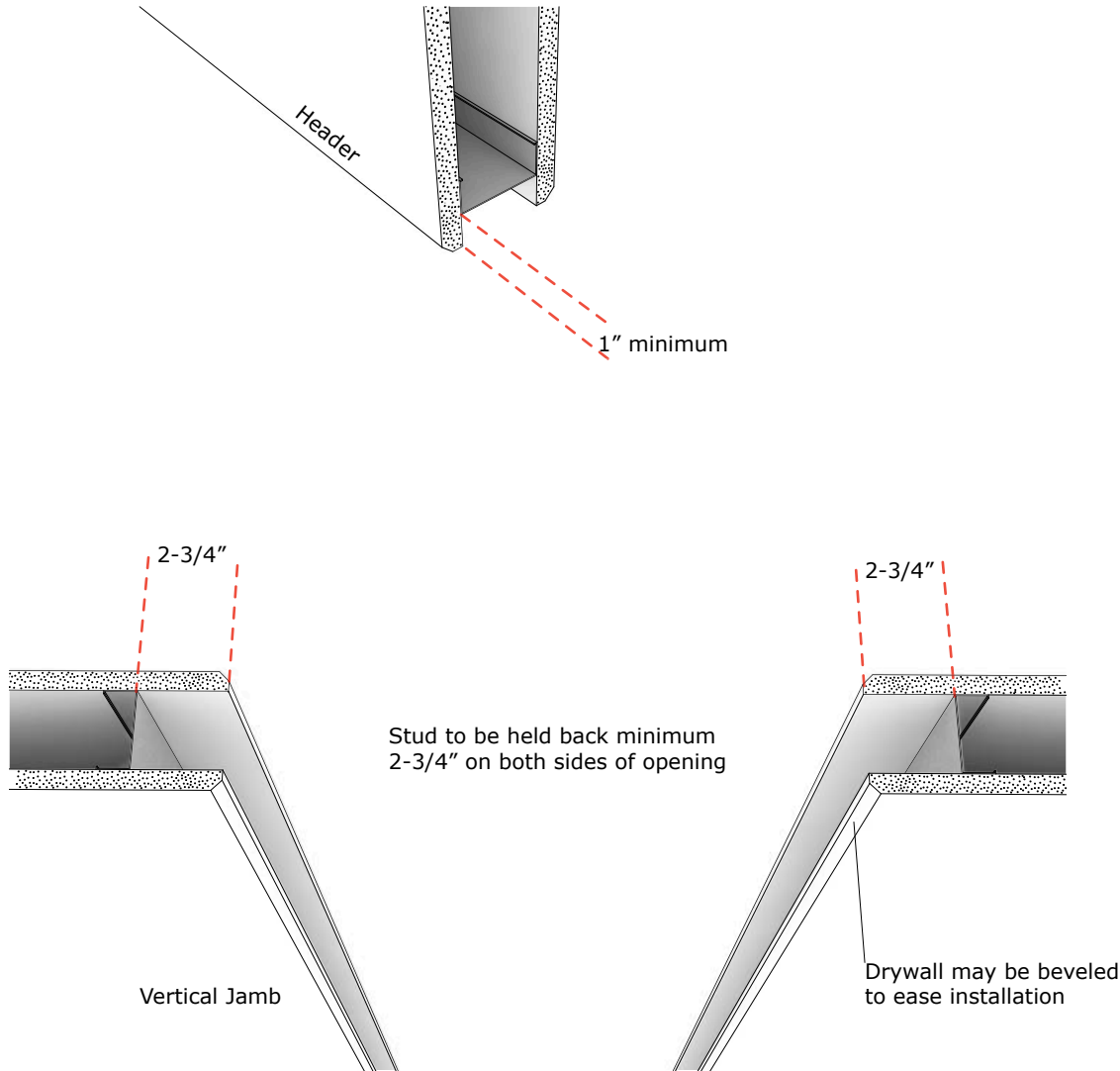
#6 x 1-5/8" Flat
Head Drywall
Screws



Step 1

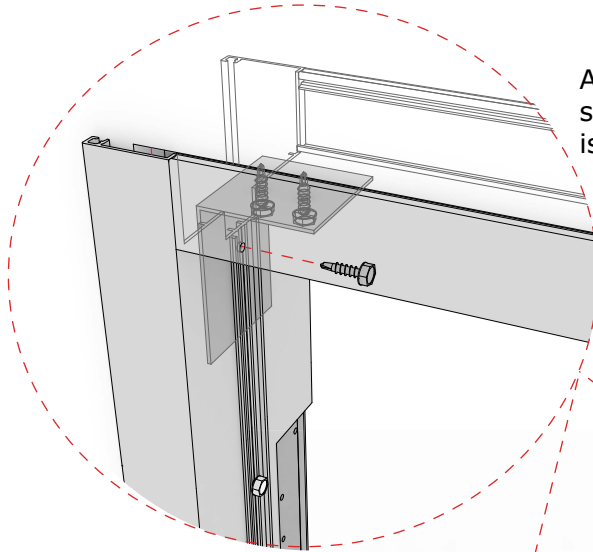
Check dimensions and square of rough opening.
Cut vertical jamb if necessary.

*Frames may be shipped with extra length for field cutting to allow for floor deflections.



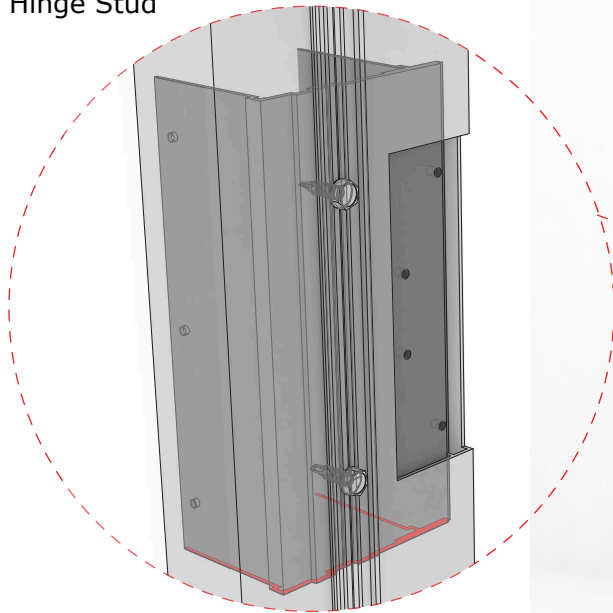
Step 2

Slip header and vertical jambs into opening. then attach header to vertical jambs.

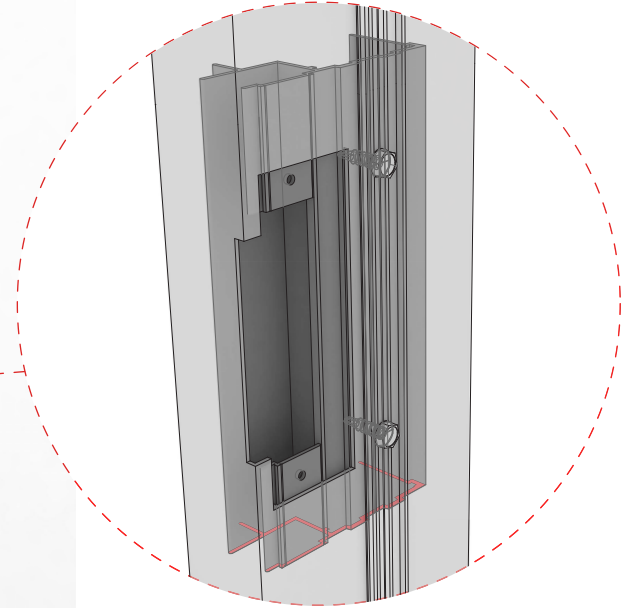


Attach header to jamb with #10x5/8" TEK screws in pre-drilled hole on jamb. Clip is pre-attached to header.

Hinge Stud



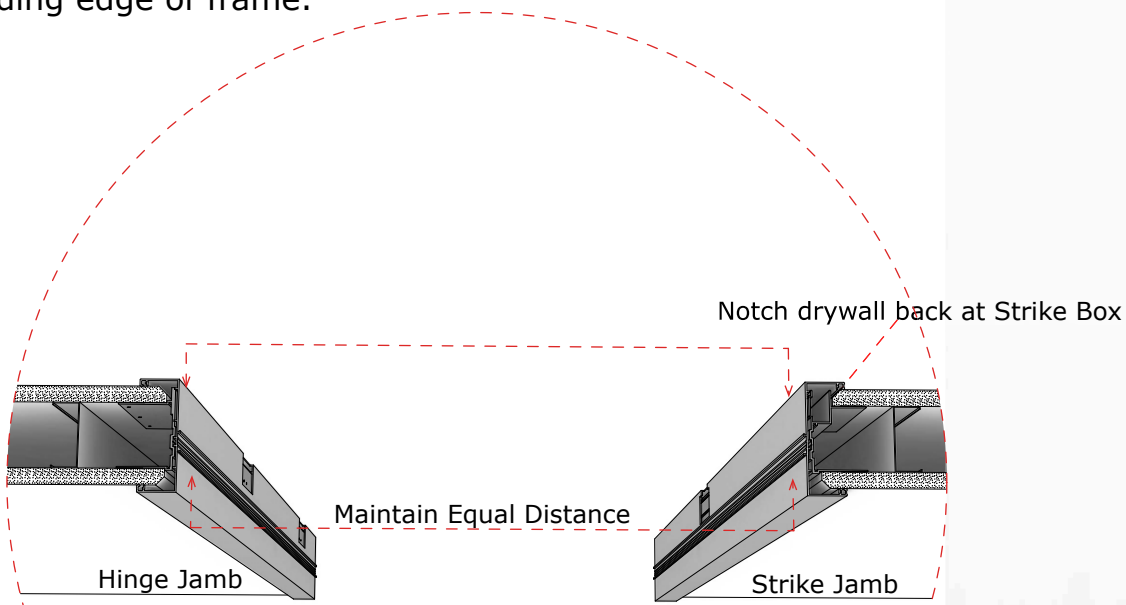
Sheetrock must be notched at the strike box



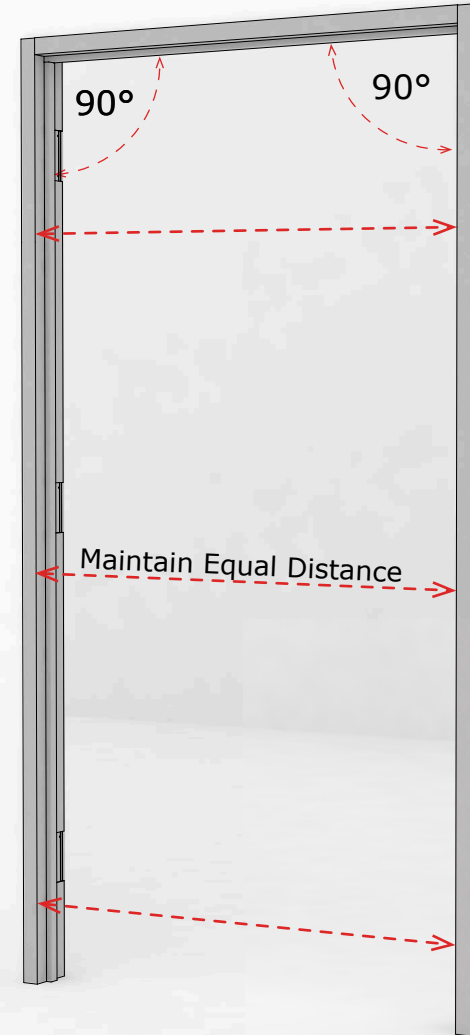
Step 3

Align to scheduled opening width and height, achieving equal wall capture on both jamb legs.

Make sure scheduled opening width is maintained on both sides of door stop at leading edge of frame.

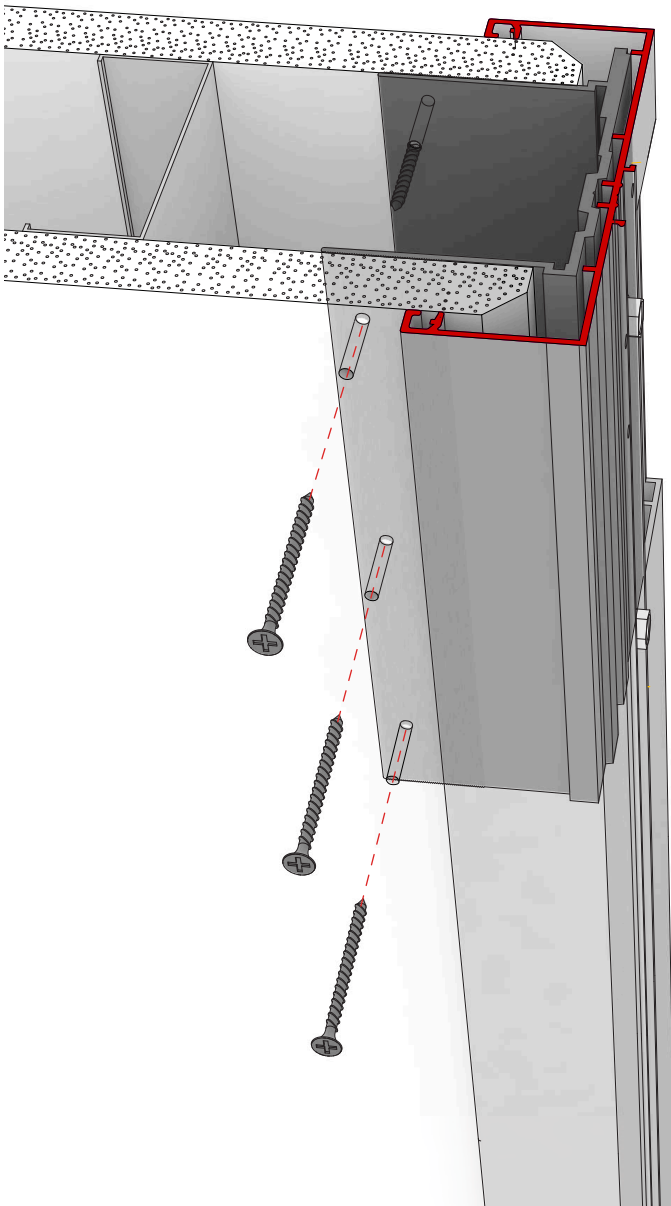


Check level of header and square jamb legs. Measure width at leading edge of jamb at each hinge location.

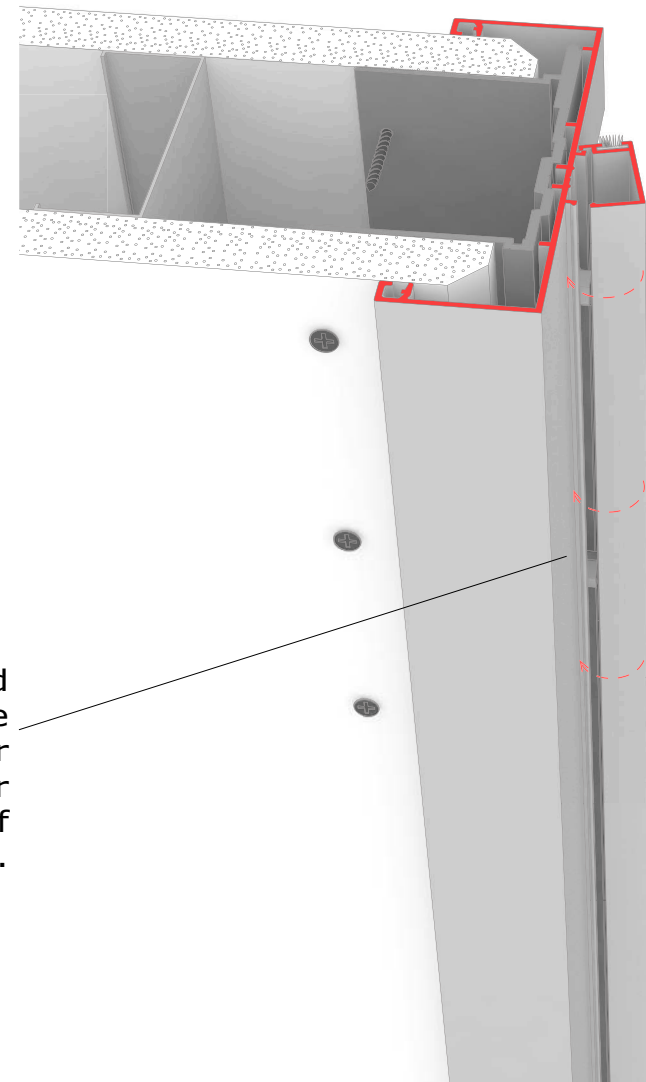


Step 4

Attach hinge and strike jamb to drywall partition, then install door stops to jambs.



Attach vertical jambs to drywall partition with 1-5/8" drywall screws. Use a minimum of 3 screws per stud segment per side.



Attach door stops to hinge and strike jambs by hooking inside leg (nearest door) on receiver tab and lightly tap with rubber mallet toward outer edge of stop.