

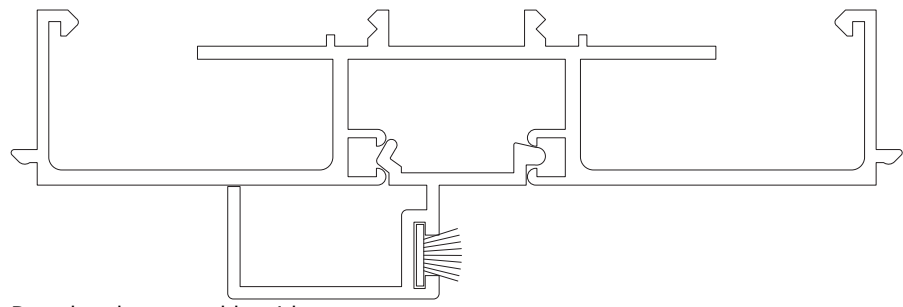
Installation Instructions: Type II Sidelite Transom Door Frames



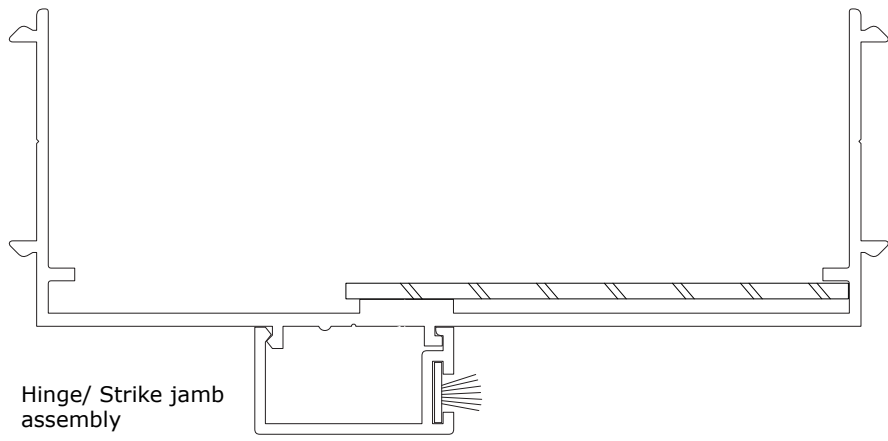
Tools Required: Tape Measure, Level, Plumb Bob, File, Rubber Mallet, Drill, Miter Saw with carbide tipped blade

Field conditions may cause components to be modified to fit. Cutting and notching is to be expected with installation.

Parts List



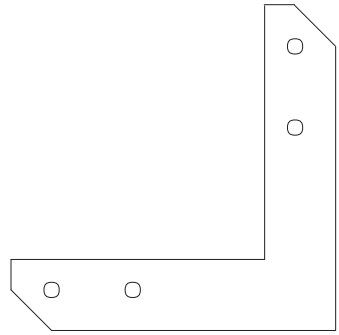
Door header assembly with snap-in door stop



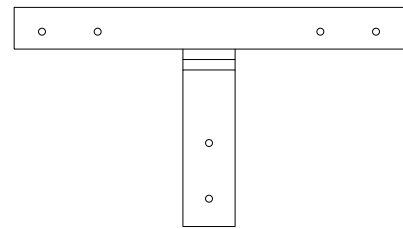
Hinge/ Strike jamb assembly



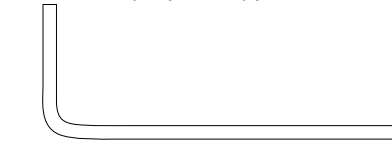
Snap on Trim



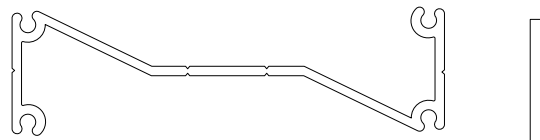
C100ST Angle Plates (Header Clip)



C150ST clips ("T" Clip)



C406ST clips (Mini Clip)

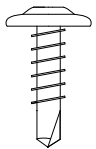


Boss Clip

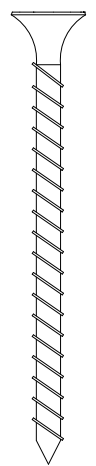


C210ST clips (Floor Clip)

#8 x 1/2" Self Drilling Wafer Head Screws



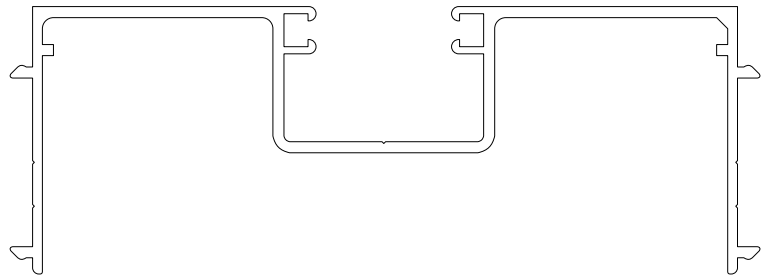
#6 x 1-5/8" Flat Head Drywall Screws



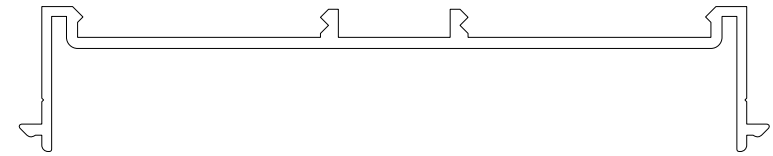
Tools Required: Tape Measure, Level, Plumb Bob, File, Rubber Mallet, Drill, Miter Saw with carbide tipped blade

Field conditions may cause components to be modified to fit. Cutting and notching is to be expected with installation.

Parts List



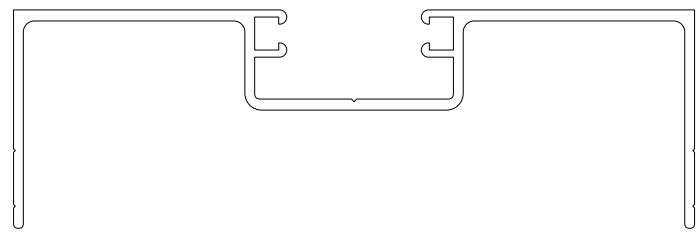
Glass Jamb



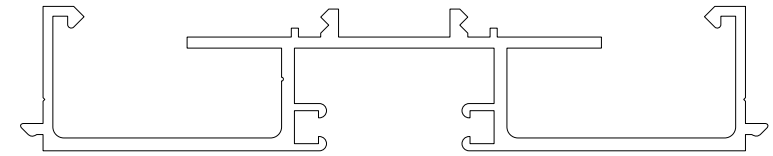
Glass Base



Base Setting Channel



Glass Pocket



Mid-Height Base



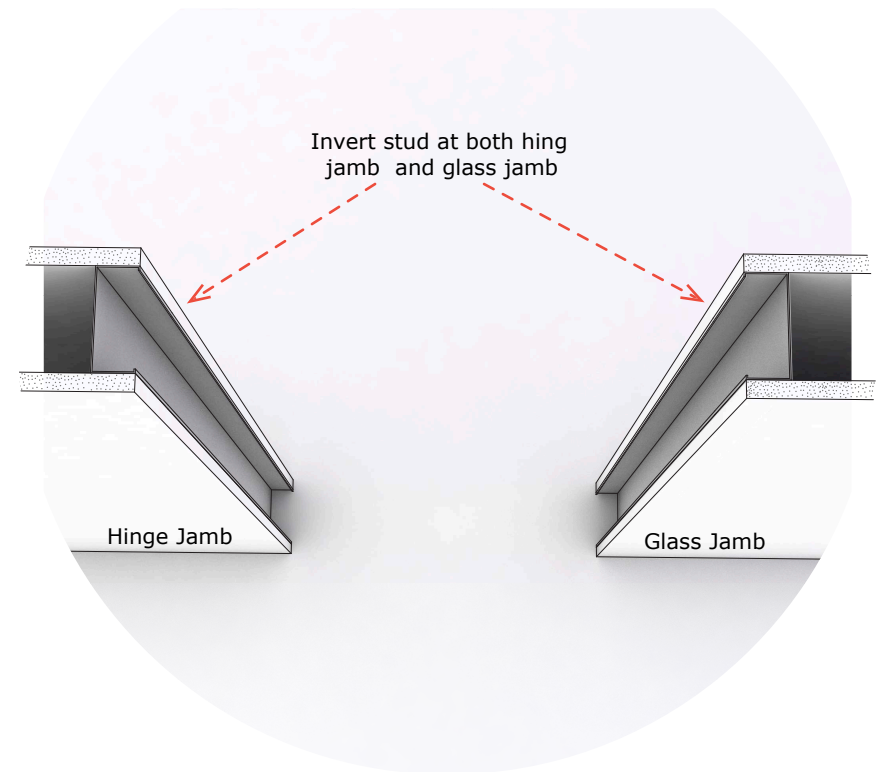
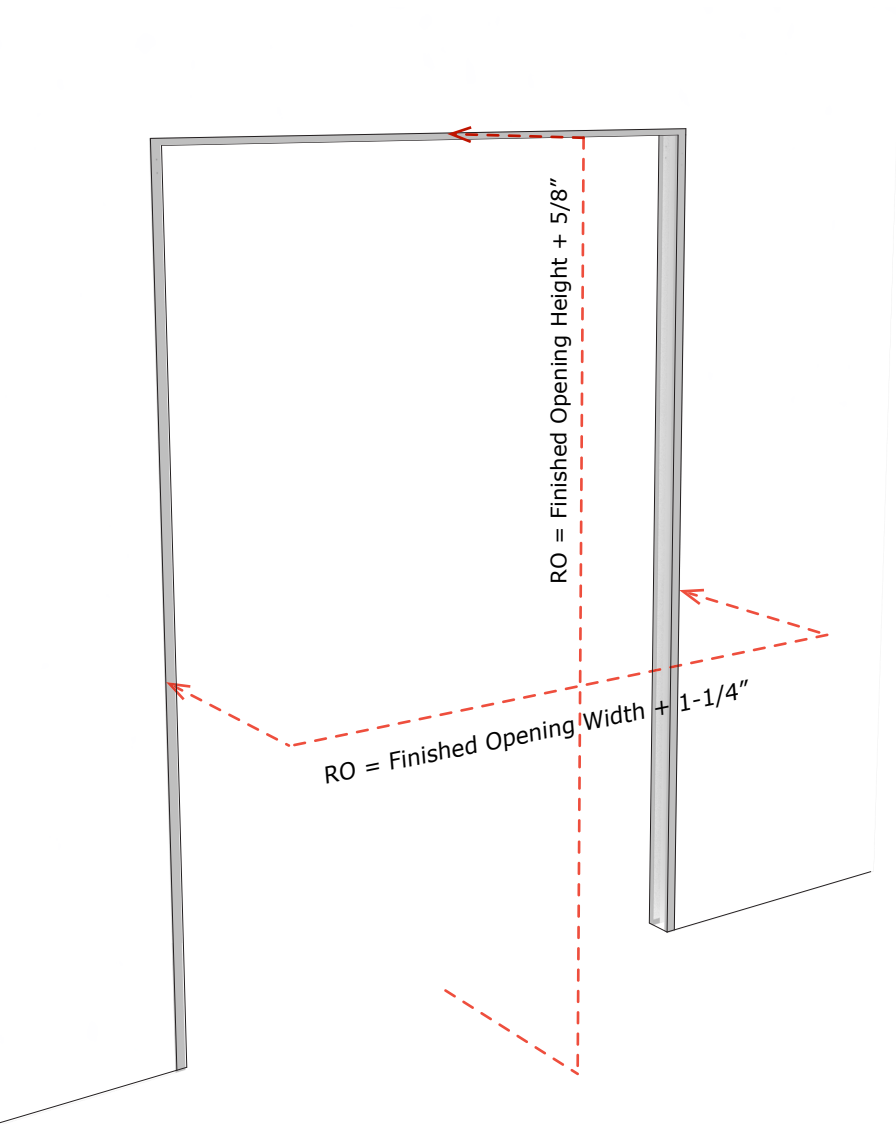
Glass Stop



Vinyl Gasketing

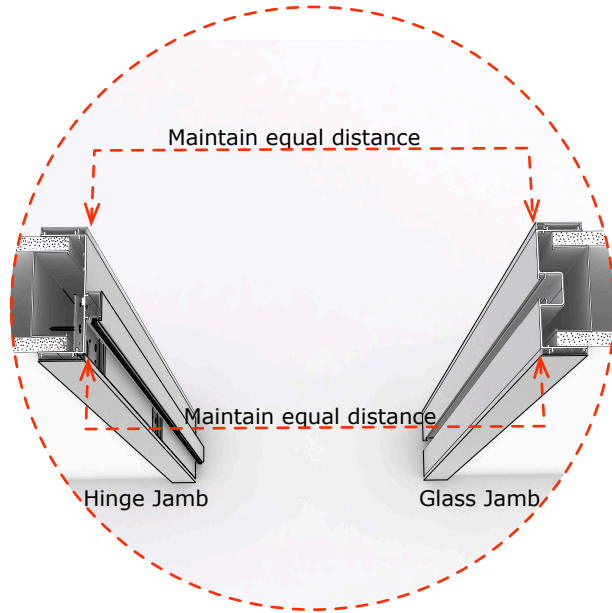
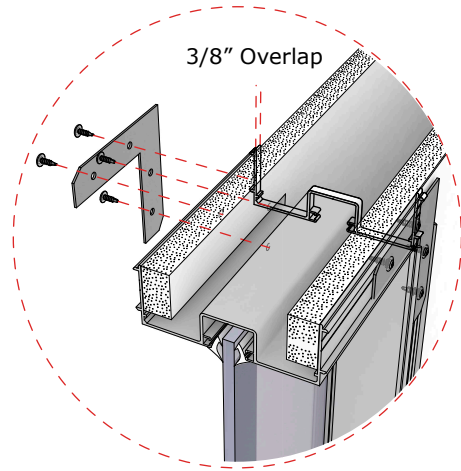
Step 1

Check dimensions and square of rough opening.
Cut vertical jambs if necessary.

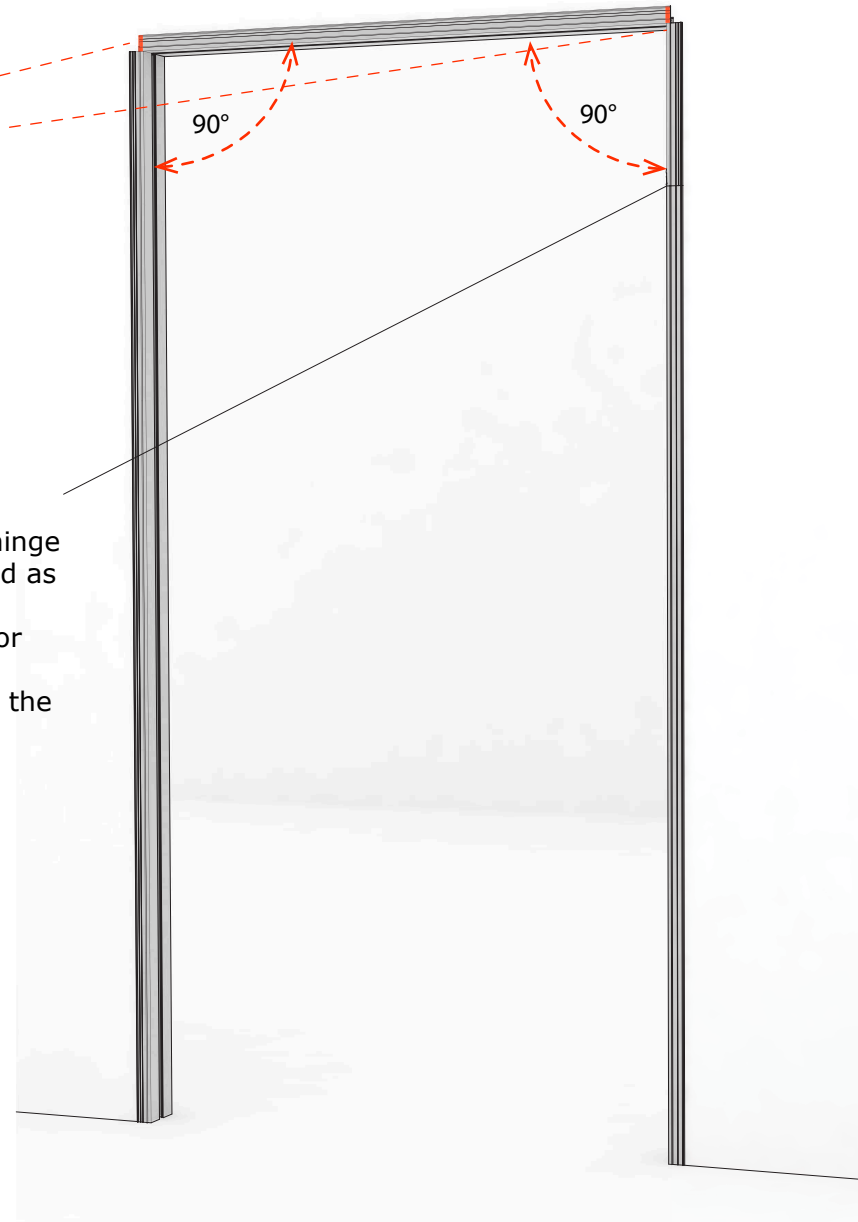


Step 2

Slip perimeter jambs into opening and align to scheduled width and height, achieving equal wall capture on both jamb legs. Check level of header, square and plumb jamb legs, then install C100ST clips (refer to clipping diagram.)

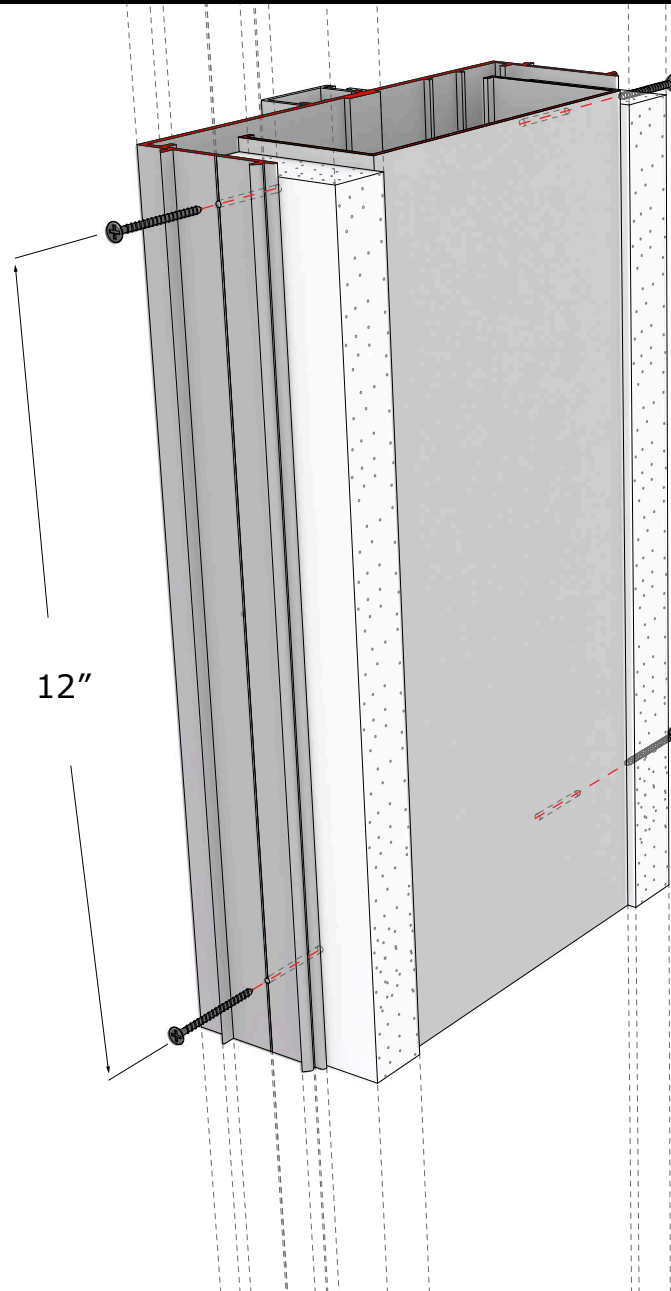


A glass jamb is supplied spliced to the top of the hinge jamb so that it is delivered as one continuous piece. If extra length is provided for this jamb, it needs to be trimmed at the bottom of the hinge jamb.



Step 3

Check square, plumb and opening width. Anchor hinge side and header to wall using #6 x 1-5/8" drywall screws nearest top and bottom of each hinge and 12" OC elsewhere. Attachment should roughly align on both front faces.

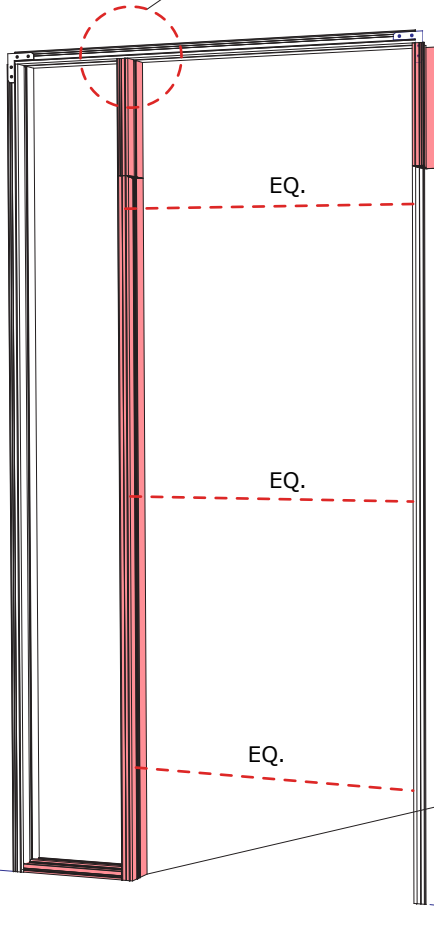


*Do not attach vertical glass jamb to drywall partition until all horizontal components are installed.

Step 4

Install strike mullion using C210ST floor clip and either the C150ST or BOSS Clip, followed by glass base using the C406ST clips (refer to clipping diagram.)

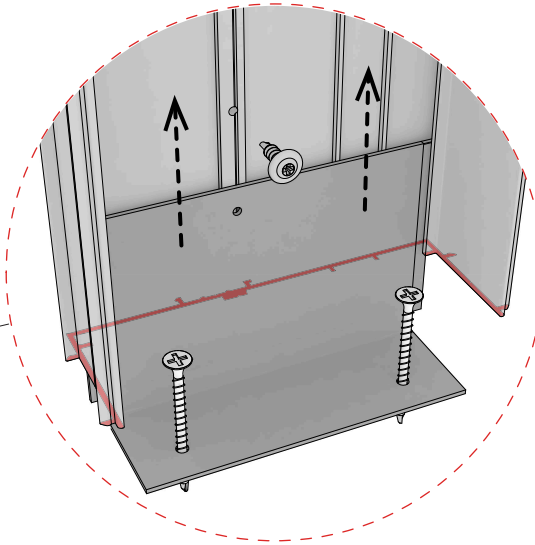
Secure intermediate vertical jamb to glass jamb header with either the BOSS Clip or C150ST "T" Clip (reference clipping diagram.)



Install snap-in glass pocket into strike jamb and attach with 1/2" tek screws at 18" O.C.



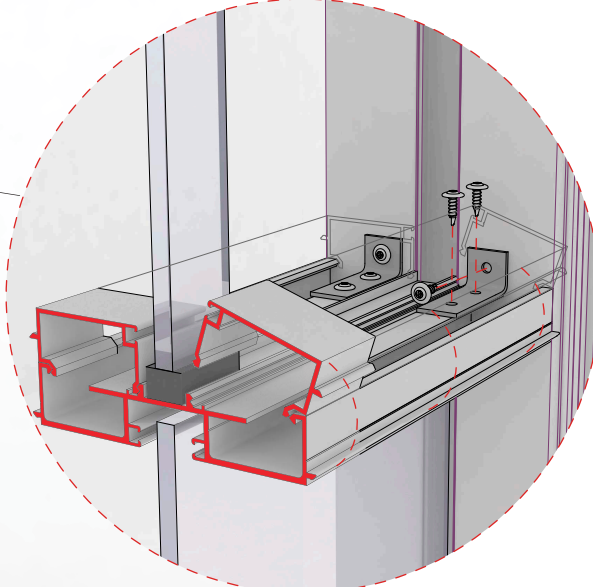
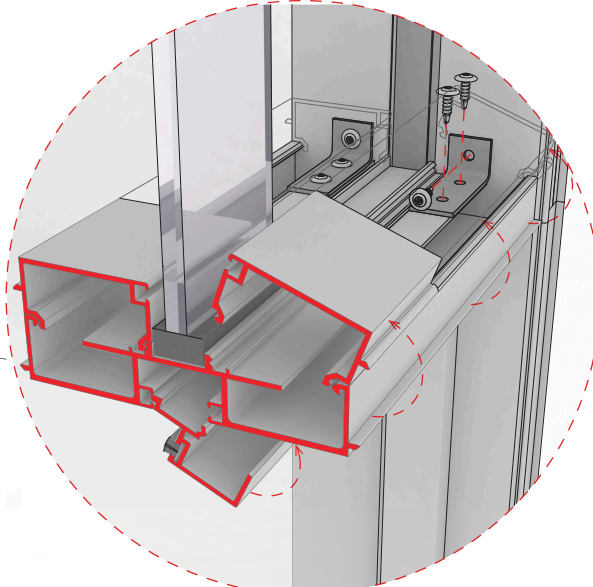
Slip C210ST clip into strike jamb and secure anchor to floor



Install glass base between strike jamb and glass jamb (reference clipping diagram.)

Step 5

Install mid-height base (if required) then the transom header using C406ST clips for both (reference clipping diagram.) Attach Glass stops.



Step 6

Install trim starting with the vertical members, followed by horizontal members.

Install trim by hooking outside leg on the receiver tab and tapping lightly with a rubber mallet toward the inner edge.

