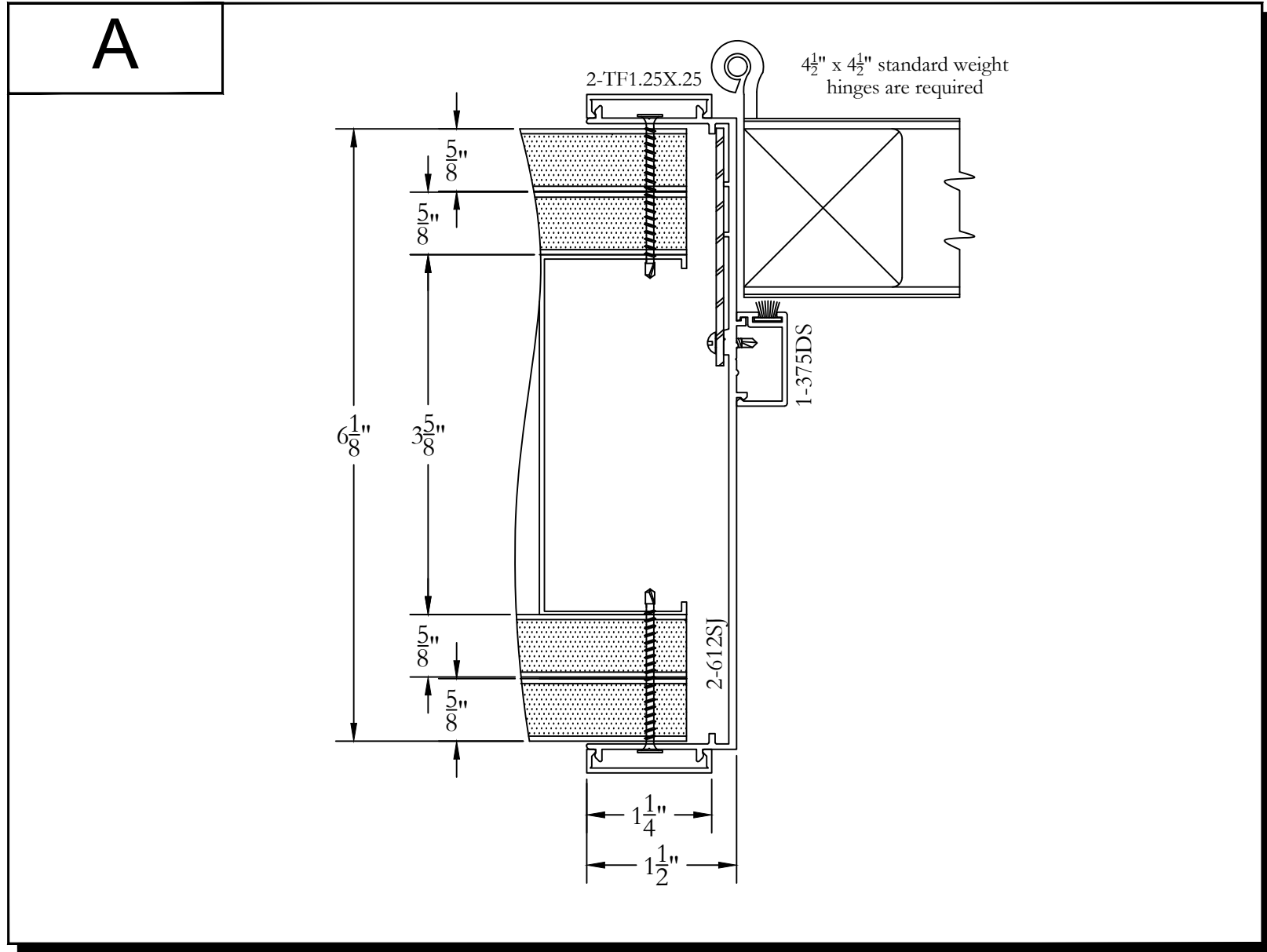


TYPE 2 - 612 SERIES (6-1/8" THROAT) W/ 1-1/4" REVEAL TRIM  
HINGE JAMB



Bringing new light to interior architecture



Frameworks Manufacturing  
1910 Cypress Station Dr  
Suite #100  
Houston, Texas 77090

Phone: 713-692-5222  
www.frameworks.com  
email: orders@frameworks.com