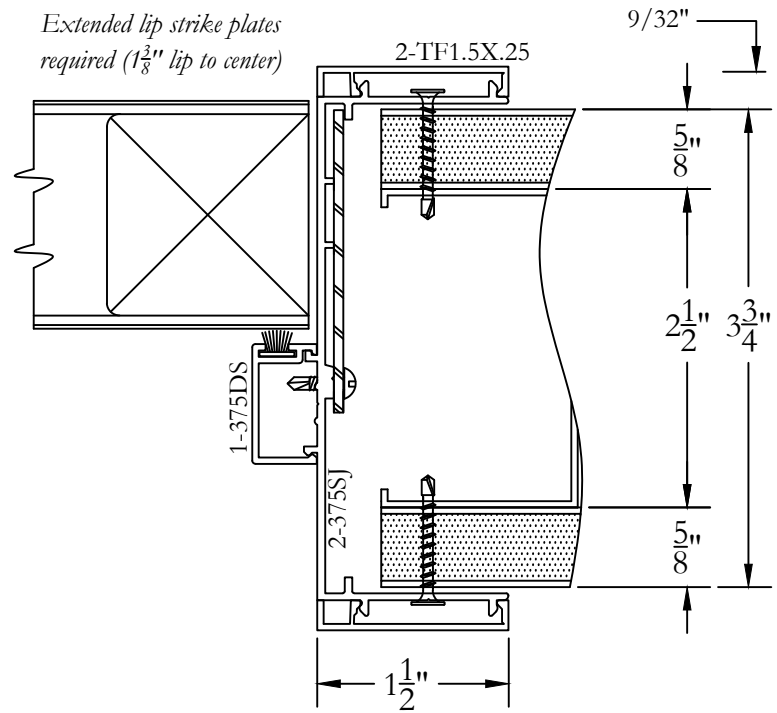


TYPE 2 - 375 SERIES (3-3/4" THROAT) W/ 1-1/2" FLUSH TRIM
 STRIKE JAMB

B



Bringing new light to interior architecture

Frameworks Manufacturing Phone: 713-692-5222
 1910 Cypress Station Dr www.frameworks.com
 Suite #100 email: orders@frameworks.com
 Houston, Texas 77090