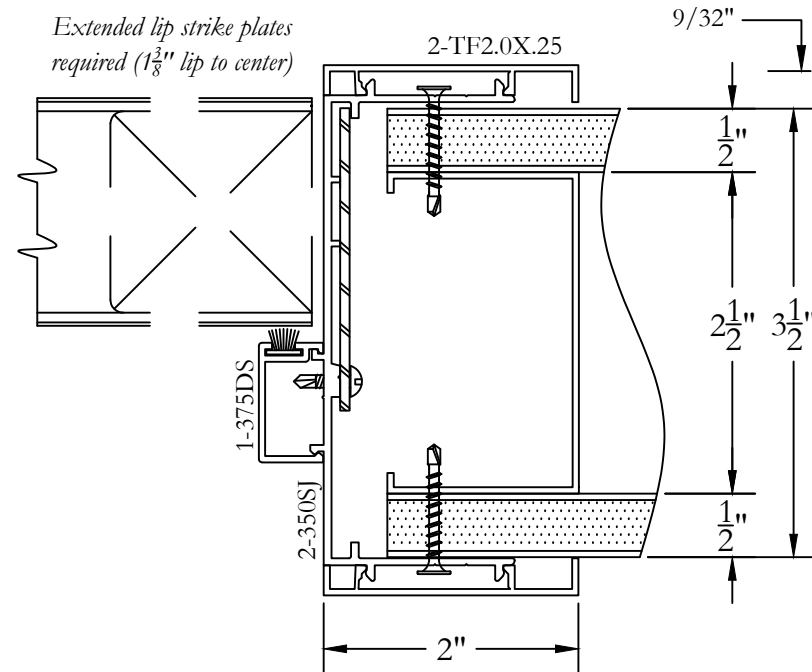


TYPE 2 - 350 SERIES (3-1/2" THROAT) W/ 2" FLUSH TRIM  
STRIKE JAMB

B



Frameworks Manufacturing Phone: 713-692-5222  
1910 Cypress Station Dr www.frameworks.com  
Suite #100 email: orders@frameworks.com  
Houston, Texas 77090