

Finish:

- Clear Anodized
- Black Paint
- Bronze Paint
- Grey Paint
- White Paint
- Other _____

Series:

- 350 (3-1/2" Wall)
- 375 (3-3/4" Wall)
- 462 (4-5/8" Wall)
- 487 (4-7/8" Wall)
- 525 (5-1/4" Wall)
- 550 (5-1/2" Wall)
- 725 (7-1/4" Wall)
- Other _____

Trim:

- 1-1/4" Reveal
- 1-1/2" Flush
- 2" Flush

Corner Condition:

- Square Cut
- Mitered

Silencer:

- Grey
- Black
- White

Glass Thickness:

- 1/4"
- 3/8"
- 1/2"

Fire Label:

- 20 Min. PP
- 45 Min. NP
- 90 Min. NP



Frameworks
 Manufacturing
 1910 Cypress Station Dr.
 Suite 100
 Houston, TX 77090

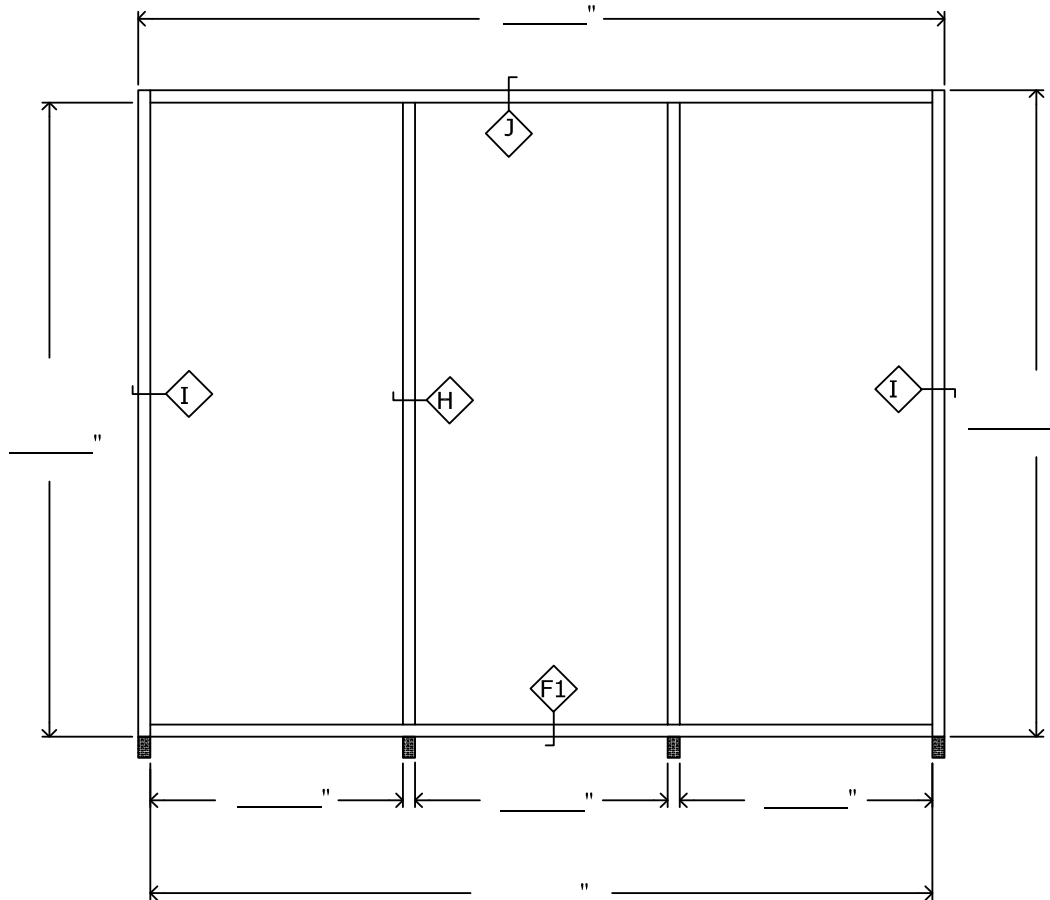
713-692-5222
 www.frameworks.com
 orders@frameworks.com

Type II Frame System

Borrowed Light:

Quantity: _____
 Tag #: _____

Special Instructions:



2" Scribe
 - Yes
 - No

Project:

Customer:

Purchase Order #:

Date:

Revised:

Elevation Drawing #:

of