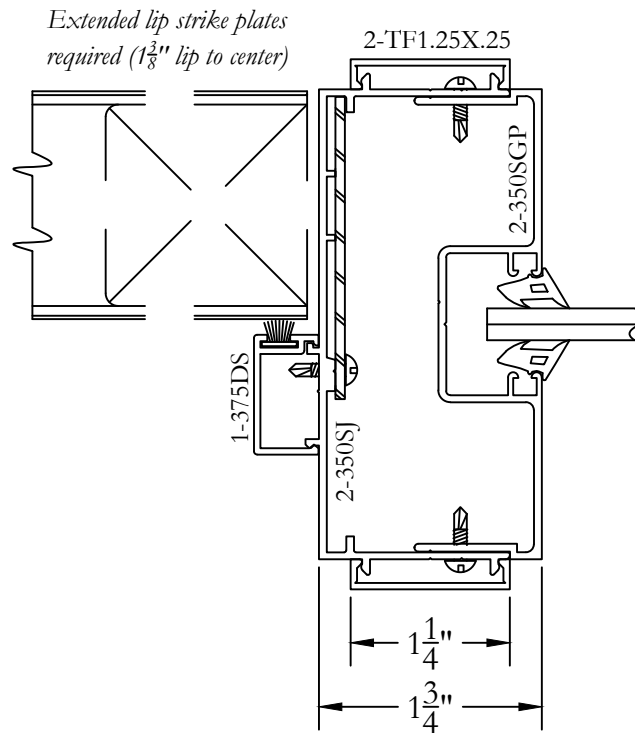


TYPE 2 - 350 SERIES (3-1/2" THROAT) W/ 1-1/4" REVEAL TRIM
SIDELITE STRIKE JAMB

D



Frameworks Manufacturing
1910 Cypress Station Dr
Suite #100
Houston, Texas 77090

Phone: 713-692-5222
www.frameworks.com
email: orders@frameworks.com