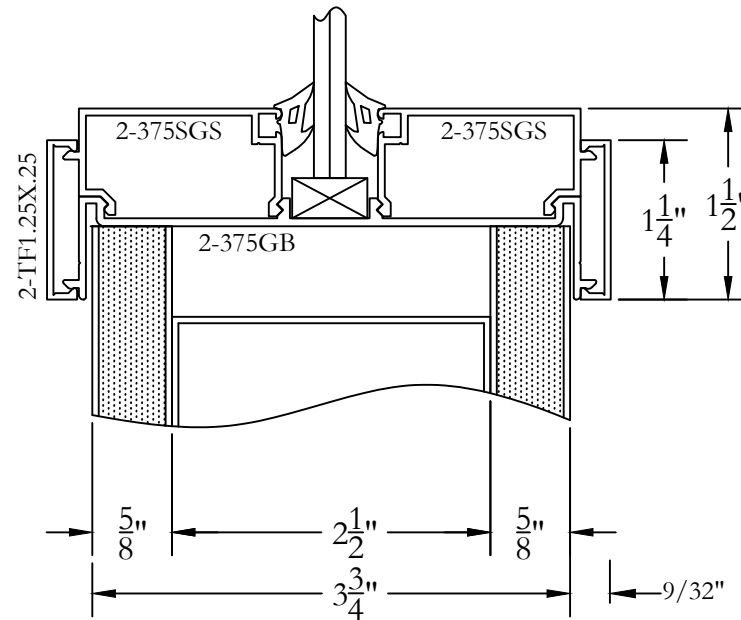


TYPE 2 - 375 SERIES (3-3/4" THROAT) W/ 1-1/4" REVEAL TRIM  
GLASS BASE (DRYWALL)

F



*Bringing new light to interior architecture*



Frameworks Manufacturing Phone: 713-692-5222  
1910 Cypress Station Dr www.frameworks.com  
Suite #100 email: orders@frameworks.com  
Houston, Texas 77090