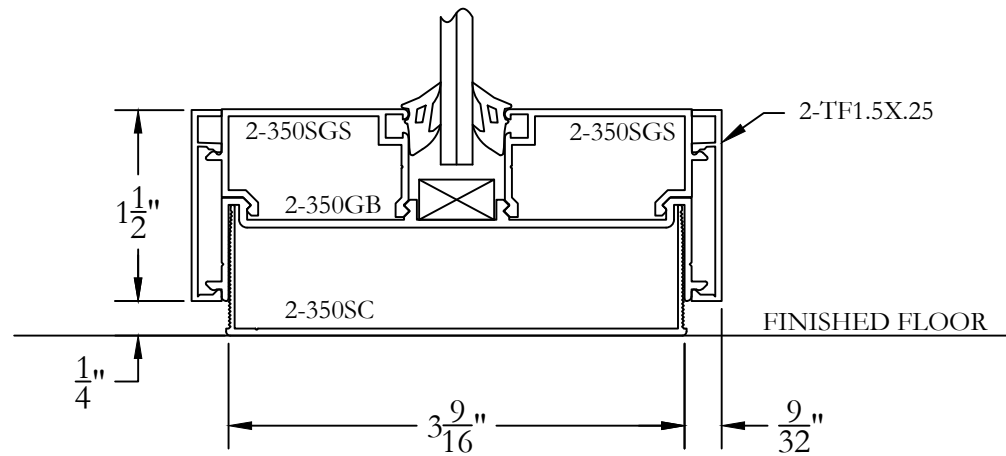


TYPE 2 - 350 SERIES (3-1/2" THROAT) W/ 1-1/2" FLUSH TRIM  
GLASS BASE (FLOOR)

F1



*Bringing new light to interior architecture*



Frameworks Manufacturing  
1910 Cypress Station Dr  
Suite #100  
Houston, Texas 77090

Phone: 713-692-5222  
www.frameworks.com  
email: orders@frameworks.com