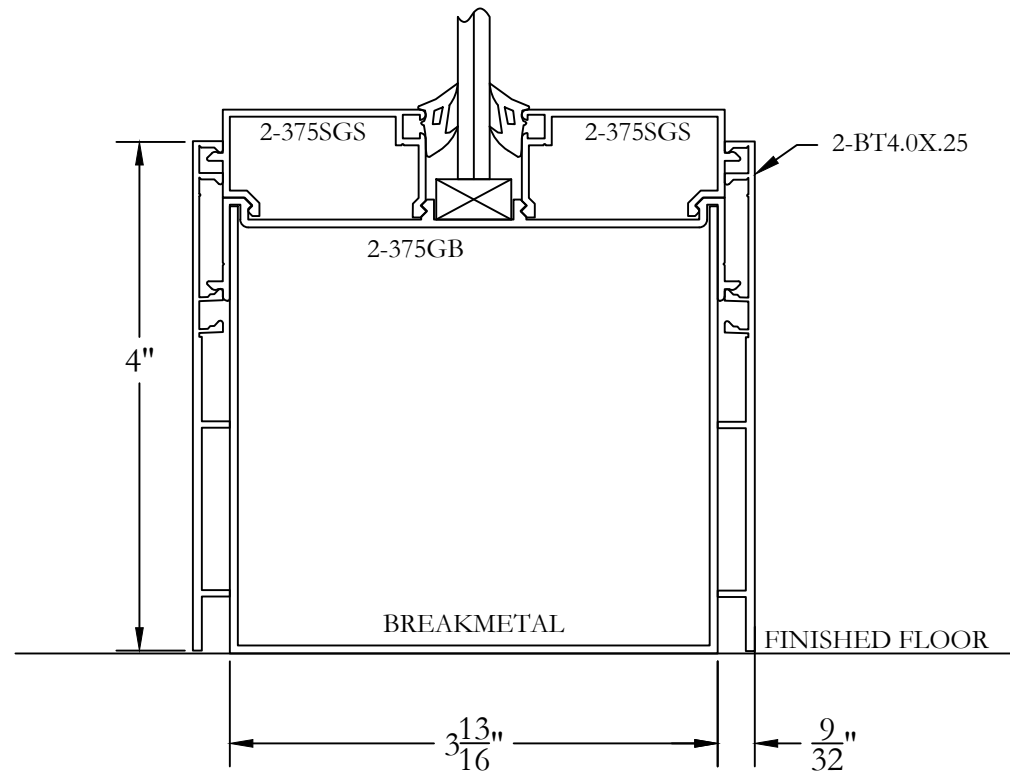


TYPE 2 - 375 SERIES (3-3/4" THROAT) W/ 4" BASE W/ REVEAL
4" GLASS BASE

F2



Frameworks Manufacturing Phone: 713-692-5222
1910 Cypress Station Dr www.frameworks.com
Suite #100 email: orders@frameworks.com
Houston, Texas 77090