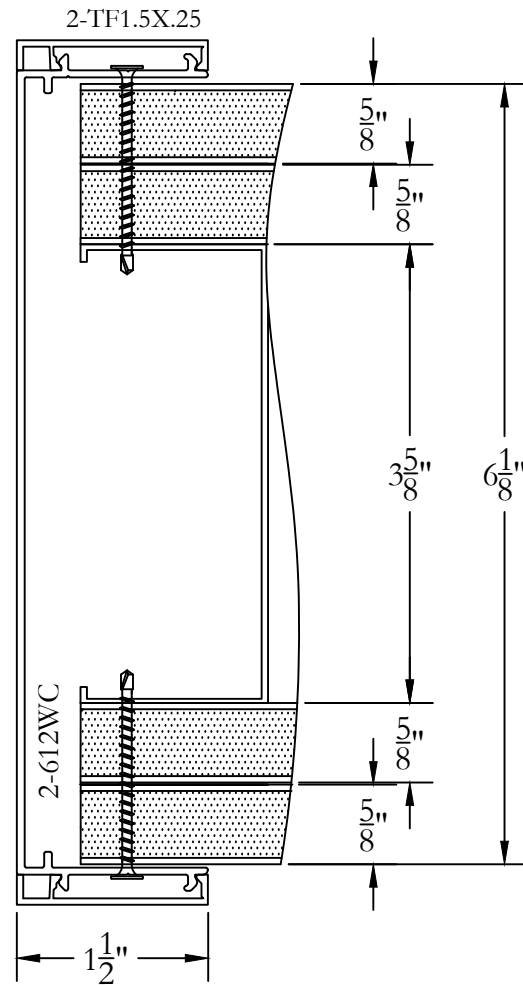


TYPE 2 - 612 SERIES (6-1/8" THROAT) W/ 1-1/2" FLUSH TRIM
WALL END CAP

K



Bringing new light to interior architecture



Frameworks Manufacturing
1910 Cypress Station Dr
Suite #100
Houston, Texas 77090

Phone: 713-692-5222
www.frameworks.com
email: orders@frameworks.com