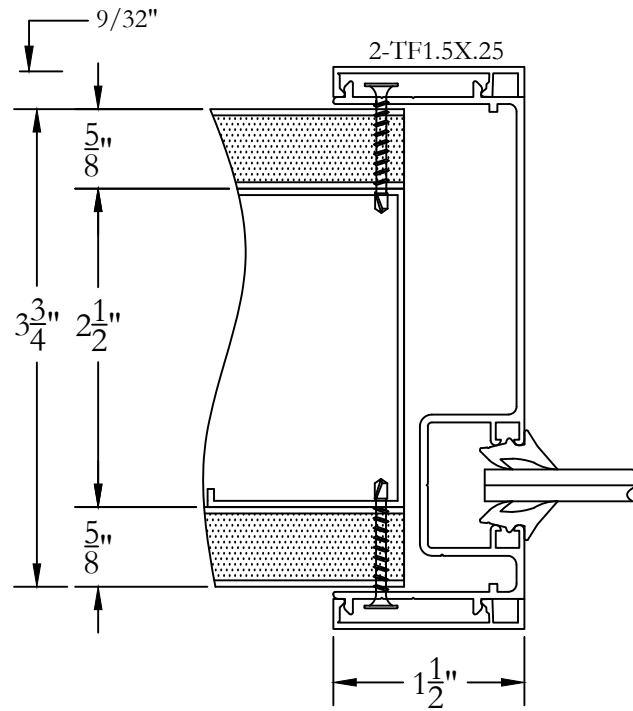


TYPE 6 - SLIM SLIDER SERIES (3-3/4" THROAT)
OFFSET VERTICAL GLASS JAMB

R



Frameworks Manufacturing Phone: 713-692-5222
1910 Cypress Station Dr www.frameworks.com
Suite #100 email: orders@frameworks.com
Houston, Texas 77090