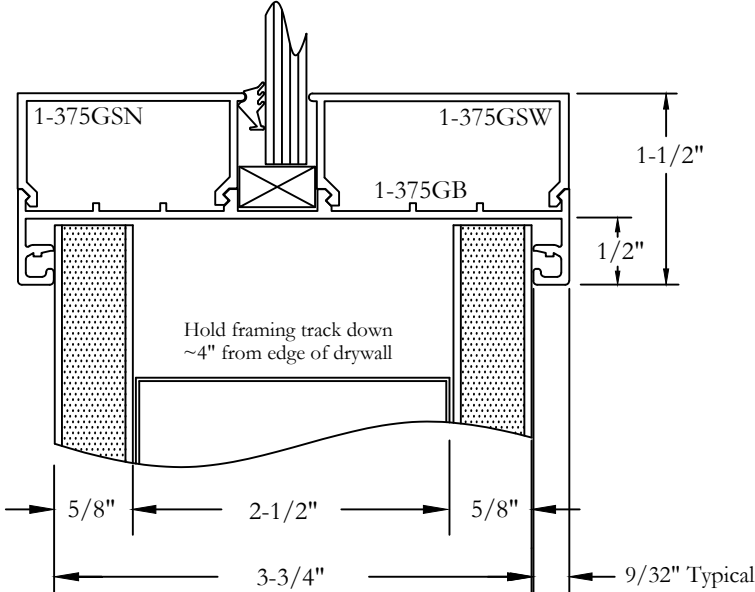


TYPE 1 - 375 SERIES (3-3/4" THROAT)  
GLASS BASE (DRYWALL)

F



Bringing new light to interior architecture

Frameworks Manufacturing Phone: 713-692-5222  
1910 Cypress Station Dr www.frameworks.com  
Suite #100 email: orders@frameworks.com  
Houston, Texas 77090