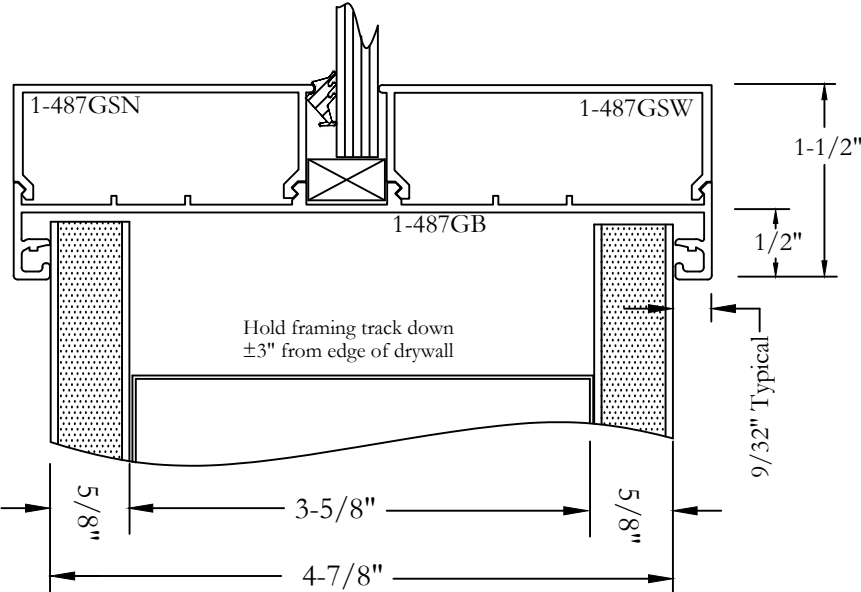


TYPE 1 - 487 SERIES (4-7/8" THROAT)
GLASS BASE (DRYWALL)

F



Frameworks Manufacturing Phone: 713-692-5222
1910 Cypress Station Dr www.frameworks.com
Suite #100 email: orders@frameworks.com
Houston, Texas 77090