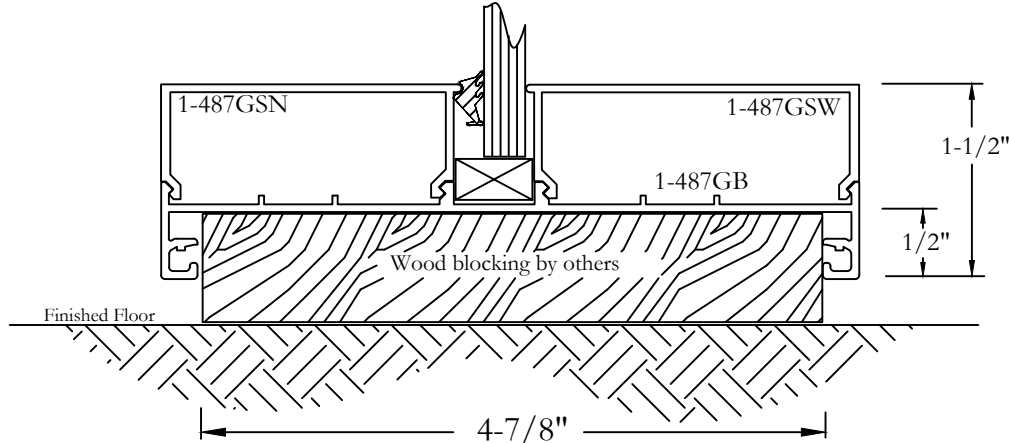


TYPE 1 - 487 SERIES (4-7/8" THROAT)  
GLASS BASE (FLOOR)

F1



Frameworks Manufacturing Phone: 713-692-5222  
1910 Cypress Station Dr www.frameworks.com  
Suite #100 email: orders@frameworks.com  
Houston, Texas 77090