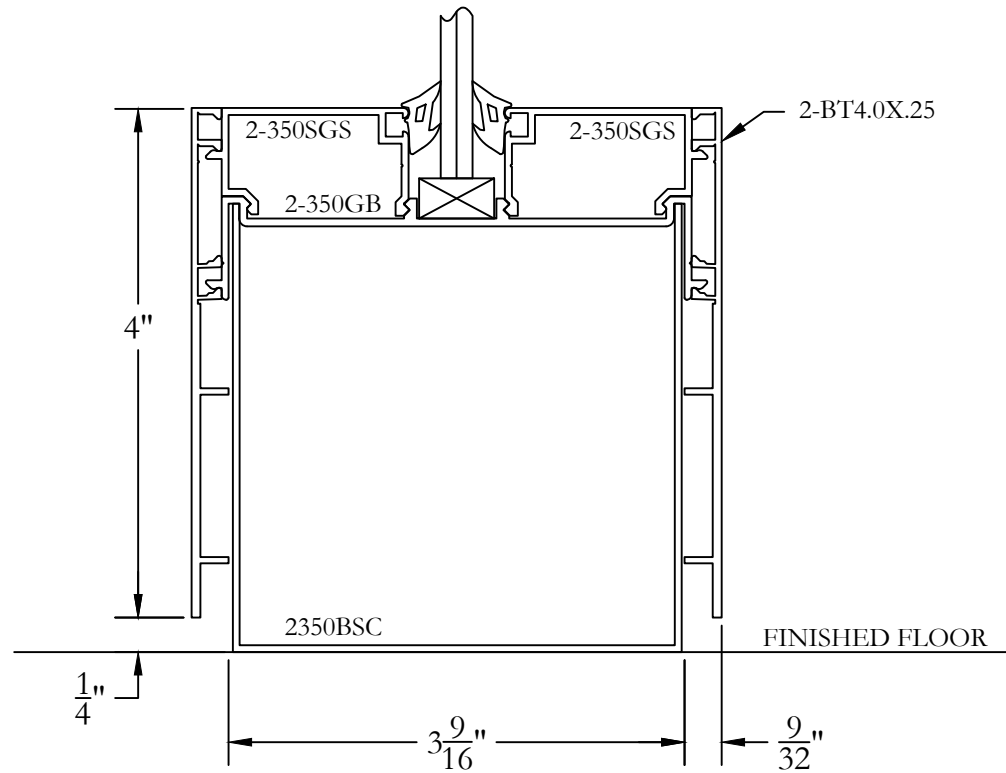


TYPE 2 - 350 SERIES (3-1/2" THROAT) W/ 1-1/2" FLUSH TRIM  
4" GLASS BASE

F2



Bringing new light to interior architecture



Frameworks Manufacturing  
1910 Cypress Station Dr  
Suite #100  
Houston, Texas 77090

Phone: 713-692-5222  
www.frameworks.com  
email: orders@frameworks.com