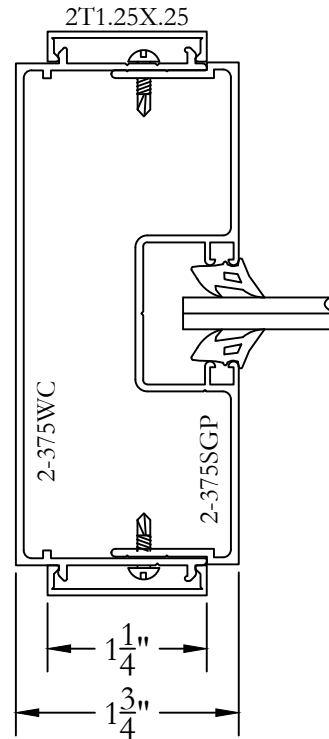


TYPE 2 - 375 SERIES (3-3/4" THROAT) W/ 1-1/4" REVEAL TRIM
WALL END CAP WITH GLASS POCKET

M



Bringing new light to interior architecture

Frameworks Manufacturing
1910 Cypress Station Dr
Suite #100
Houston, Texas 77090

Phone: 713-692-5222
www.frameworks.com
email: orders@frameworks.com