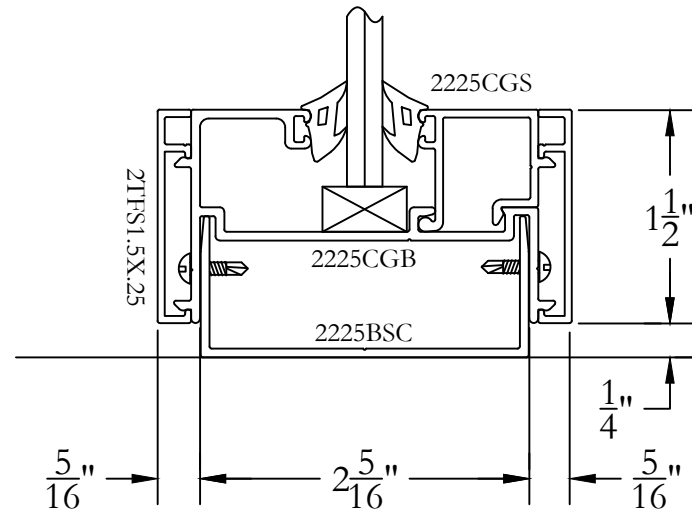


SLIM LINE SERIES (2-1/4" THROAT)  
GLASS BASE FLOOR CENTER POCKET

F2



Frameworks Manufacturing Phone: 713-692-5222  
1910 Cypress Station Dr www.frameworks.com  
Suite #100 email: orders@frameworks.com  
Houston, Texas 77090