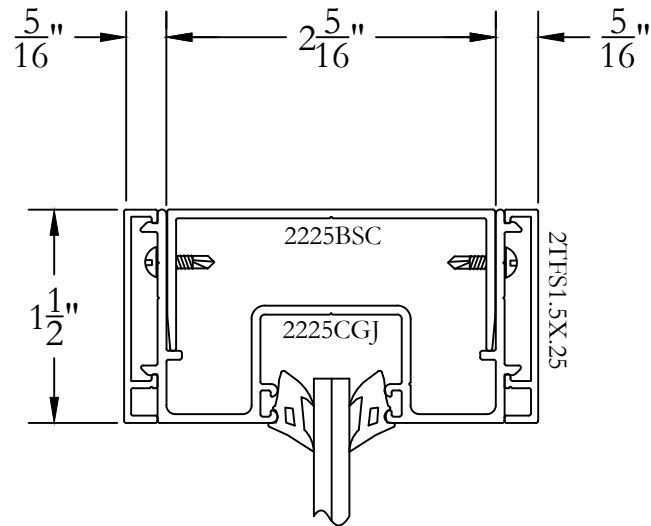


SLIM LINE SERIES (2-1/4" THROAT)
GLASS JAMB HEADER WITH SETTING CHANNEL CENTER POCKET

J1



Frameworks Manufacturing Phone: 713-692-5222
1910 Cypress Station Dr www.frameworks.com
Suite #100 email: orders@frameworks.com
Houston, Texas 77090